

PC - 777661

Rev. D (9/22/17) -en

# Parts Catalog

EPCU

**NEW YORK AIR BRAKE**





## Contact address

New York Air Brake  
748 Starbuck Avenue  
Watertown, NY 13601  
USA

Phone: +1 315 786 5200  
Fax: +1 315 786 5676  
www.nyab.com

## Technical Changes

NYAB reserves the right to change the unit or this document at any time without giving special notice

	<b>CAUTION</b> When repairing this assembly, use only NYAB supplied parts. Use of commercially available parts may result in unsatisfactory performance of this assembly and the brake system it becomes a part of.
--	--

	<b>CAUTION</b> The purpose of this catalog is to identify the detail parts that make up this complete assembly. To avoid damage to this assembly and/or personal injury, utilize the applicable maintenance publications before attempting to disassembly or assembly this device.
--	---

	<b>WARNING</b> Whenever a part in this assembly is replaced, the assembly must pass the tests in the latest issue of the applicable New York Air Brake (NYAB) Test Specification. Additionally, a stationary vehicle test must be made to ensure that this device functions properly when installed in the total brake equipment arrangement. Consult your local NYAB representative to identify the applicable test specifications.
--	---

## Wearing Code (WEC)

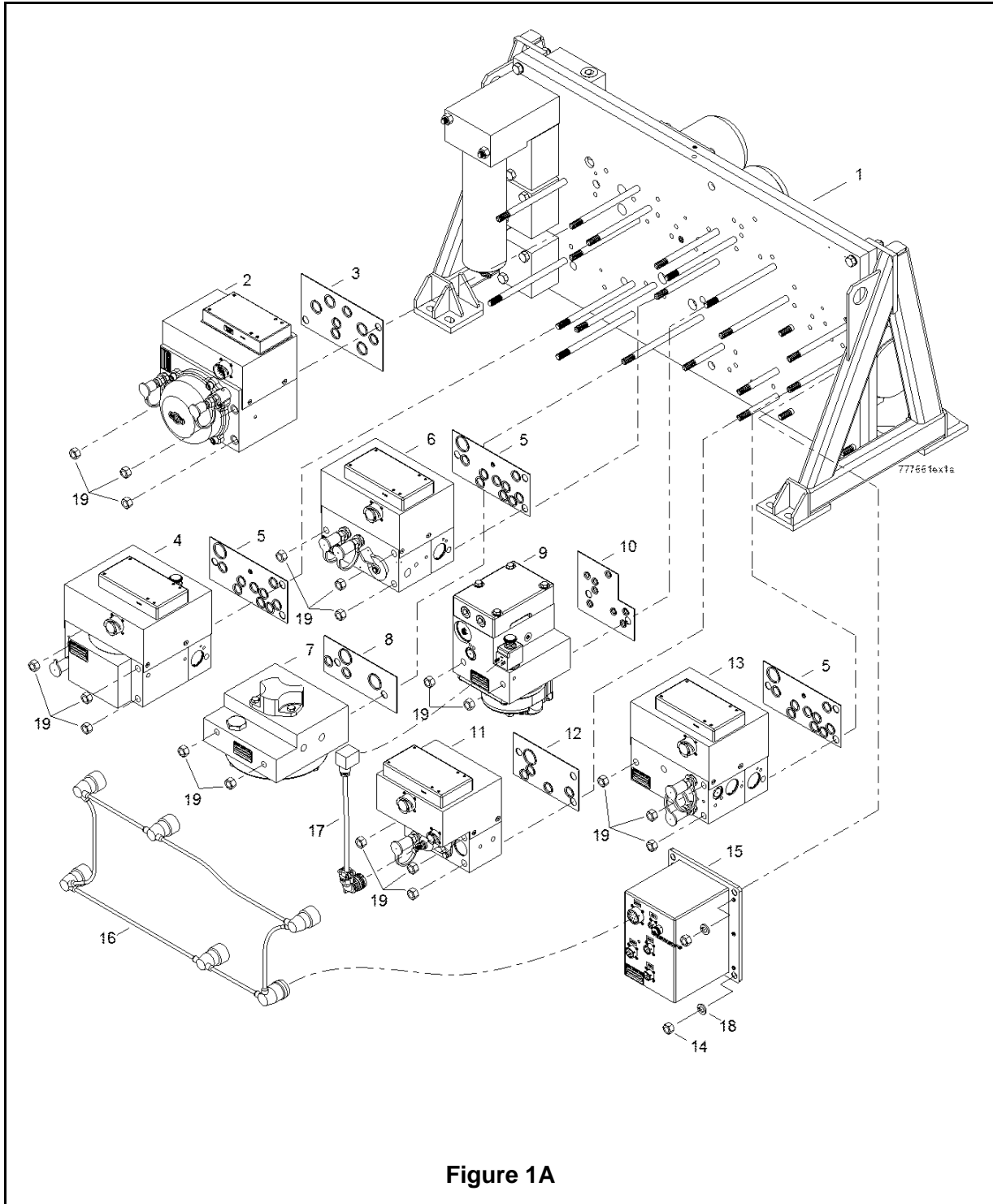
Definition of the Wearing Code designation in the following pages:

WEC	Definition
A	These parts must be replaced upon removal
B	These parts must be replaced at every overhaul
C	These parts must be replaced or reconditioned if they have worn so severely that the unit cannot be guaranteed to function reliably with them until the next overhaul. If necessary, further information on testing these parts can be found in the overhaul instructions.
D	These parts must be replaced at every service and every overhaul
	Parts that do not have a WEC code must be visually inspected. If damage is found on the parts, they must be replaced.

This document was originally written in English.



**EPCU**



**Figure 1A**

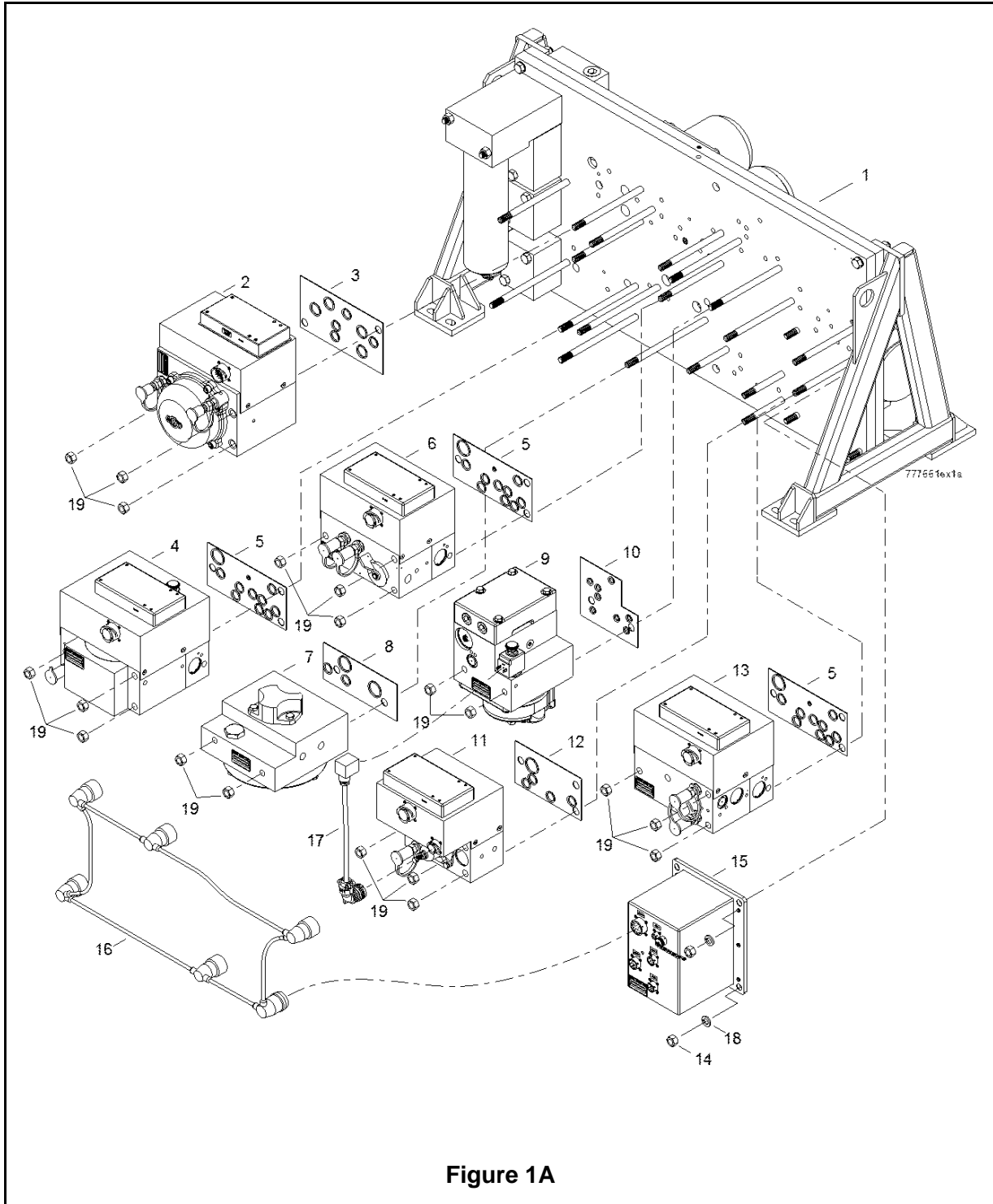


## EPCU

FIG. & INDEX	WEC	PART NO.	DRAW NO.	NO. REQ'D.	DESCRIPTION
1A-		788787-1585	788787		<b>ELECTRO-PNEUMATIC CONTROL UNIT</b> (starting with serial number C0-xxxxx)
1	C	792074	792074	1	. MANIFOLD INTERFACE ASSEMBLY (see Figure 1B)
2	C	776799	776799	1	. BP CONTROL PORTION
3	A	775944	775944	1	. GASKET
4	C	774401	774401	1	. 20 PIPE PORTION
5	A	775945	775945	3	. GASKET
6	C	776926	776926	1	. ER CONTROL PORTION
7	C	776837	776837	1	. BC CONTROL PORTION
8	A	776855	776855	1	. GASKET
9	C	776840	776840	1	. DBTV PORTION
10	A	775943	775943	1	. GASKET
11	C	776841	776841	1	. 13 PIPE PORTION
12	A	775941	775941	1	. GASKET
13	C	776846	776846	1	. 16 PIPE PORTION
14	A	751812	MC-947	4	. NUT, Elastic Stop Steel, Pltd. 3/8-16 UNC-3B
15	C	779082	779082	1	. JUNCTION BOX ASSY Power Supply
16	C	774787	774787	1	. CABLE ASSEMBLY, EPCU
17	C	775904	775904	1	. DBI CABLE



**EPCU**



**Figure 1A**



**EPCU**

FIG. & INDEX	WEC	PART NO.	DRAW NO.	NO. REQ'D.	DESCRIPTION
<b>1A-</b>					
18	C	733331	CR-181	4	. WASHER, Special Steel, Pltd. 1/2"
19	A	734497	CV-424	19	. NUT, Hex Steel, Pltd. 1/2-13 UNC-2B x 0.437" t



## EPCU

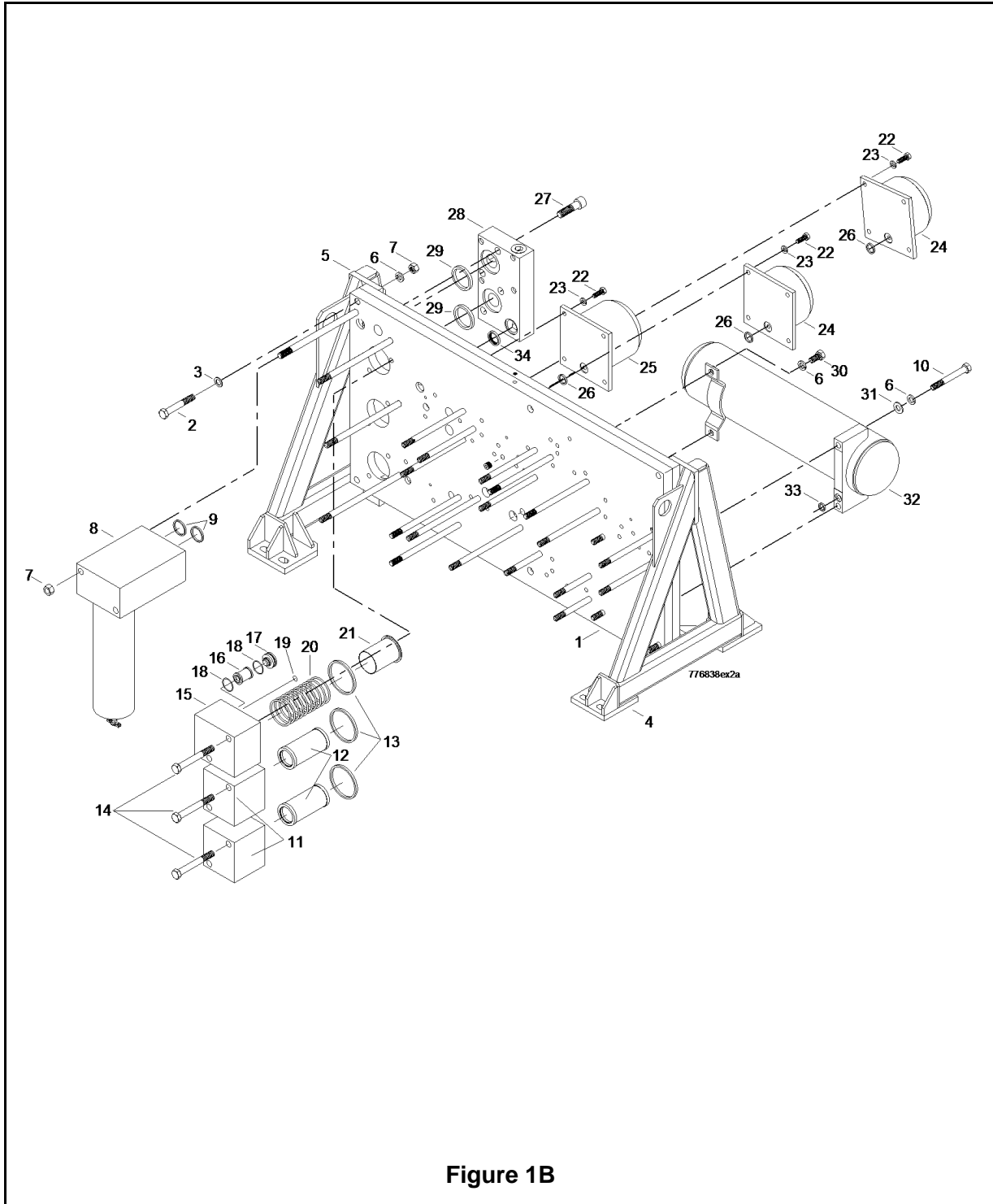


Figure 1B



## EPCU

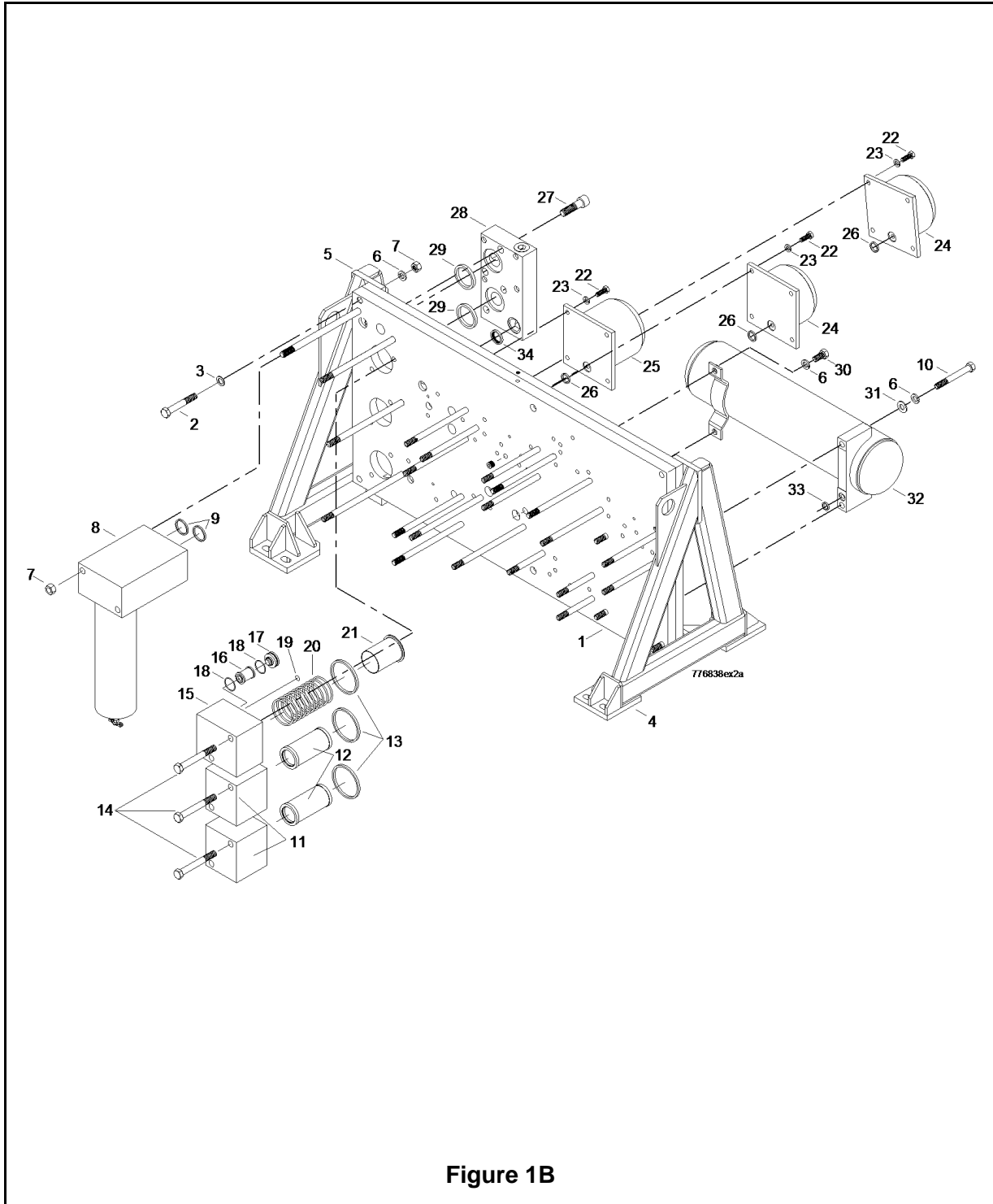
FIG. & INDEX	WEC	PART NO.	DRAW NO.	NO. REQ'D.	DESCRIPTION
<b>1B-</b>					
		792074	792074	1	. MANIFOLD INTERFACE ASSEMBLY
1	C	790779	790779	1	. . MANIFOLD/STUD ASSEMBLY
2	C	760647	760647	4	. . SCREW, Hex Head Cap Steel, Pltd. 1/2"-13 UNC-2A x 3-1/4" long
3	C	733331	CR-181	4	. . WASHER, Special Steel, Pltd. 1/2"
4	C	776337	776337	1	. . MOUNTING BRACKET (RH)
5	C	776336	776336	1	. . MOUNTING BRACKET (LH)
6	C	735734	CR-1525	8	. . LOCK WASHER Steel, Pltd. 7/8" od x 1/2" id x 0.125" t
7	C	734497	CV-424	6	. . NUT, Hex Steel, Pltd. 1/2-13 UNC-2B x 0.437" t
8	*	786754	786754	1	. . MR FILTER ASSEMBLY
9	A	745679	SR-58	2	. . GASKET, Ring Elastomer 1-3/8" od x 1-3/16" id x 0.130" t
10	C	751161	MC-802	2	. . SCREW, Hex Head Cap Steel, Pltd. 1/2"-13 UNC-2A x 4" long
11	C	786755	786755	2	. . FILTER HOUSING
12	A	775081	775081	2	. . FILTER ELEMENT

\*NOTE: See page 12 for Filter Replacement Kit number.





**EPCU**



**Figure 1B**

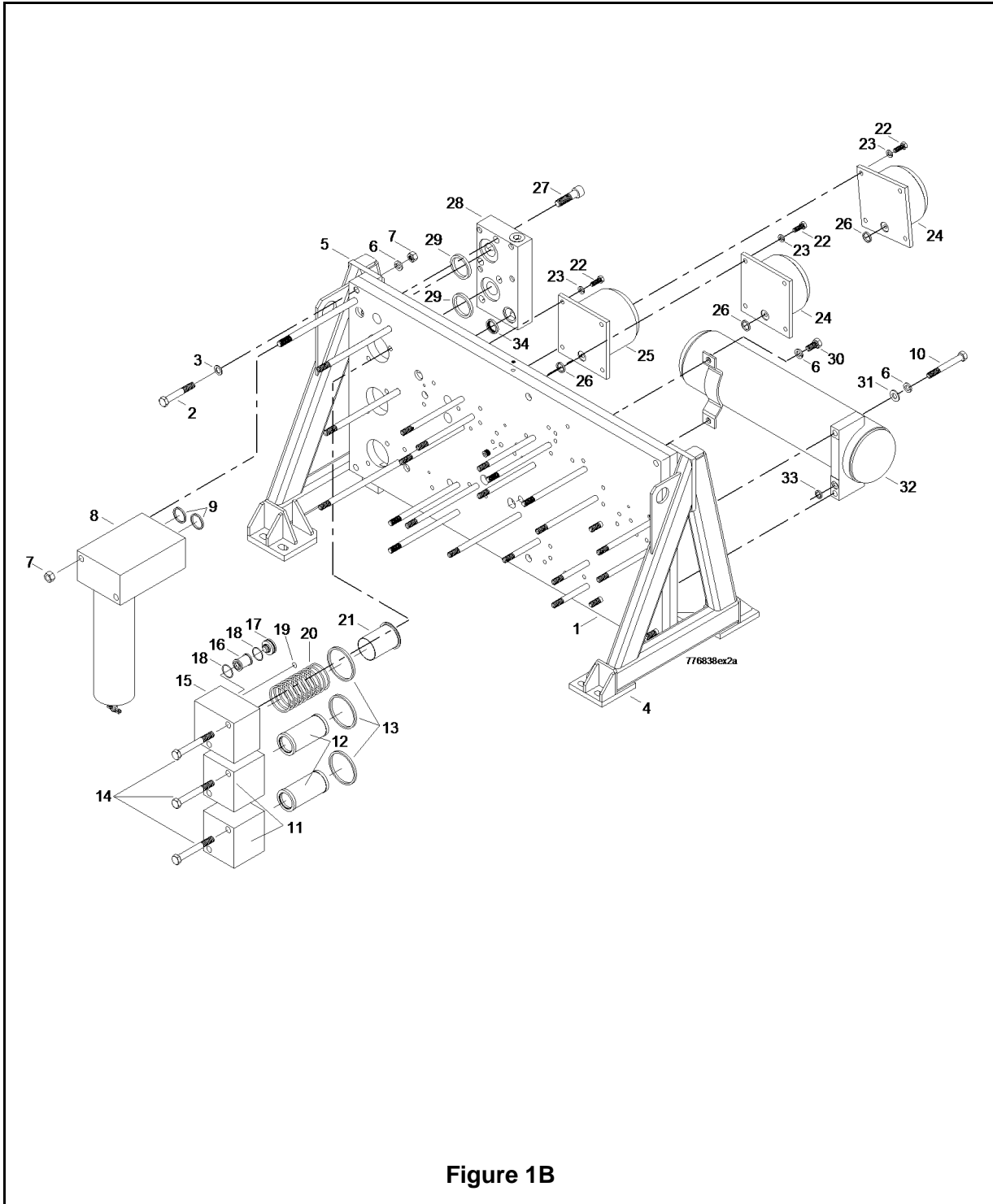


## EPCU

FIG. & INDEX	WEC	PART NO.	DRAW NO.	NO. REQ'D.	DESCRIPTION
<b>1B-</b>					
13	A	735272	DC-1078	3	.. GASKET, Ring Elastomer 3" od x 2-23/32" id x 3/16" t
14	C	750890	MC-729	6	.. SCREW, Hex Head Cap Steel, Pltd. 1/2"-13 UNC-2A x 3-1/2" long
15	C	789945	789945	1	.. BP FILTER ASSEMBLY (Includes items 16 thru 18)
16	A	775080	775080	1	... FILTER ELEMENT
17	C	789943	789943	1	... PILOT, Filter
18	A	755361	HN-98	2	... O-RING Buna 1-3/8" od x 1-1/4" id x 0.070" t
19	A	751369	HN-184	1	.. O-RING Buna 9/16" od x 27/64" id x 0.070" t
20	A	776139	776139	1	.. SPRING Stainless Steel 2-3/8" od x 0.130" dia. x 6" high
21	A	775931	775931	1	.. FILTER SCREEN
22	C	B73354/1	769162	12	.. SCREW, Hex Head Cap Steel, Pltd. 3/8-16 UNC-2A x 1" long
23	C	733364	CR-289	12	.. LOCK WASHER, Split Steel, Pltd. 3/8"
24	C	779053	779053	2	.. RESERVOIR



**EPCU**



**Figure 1B**

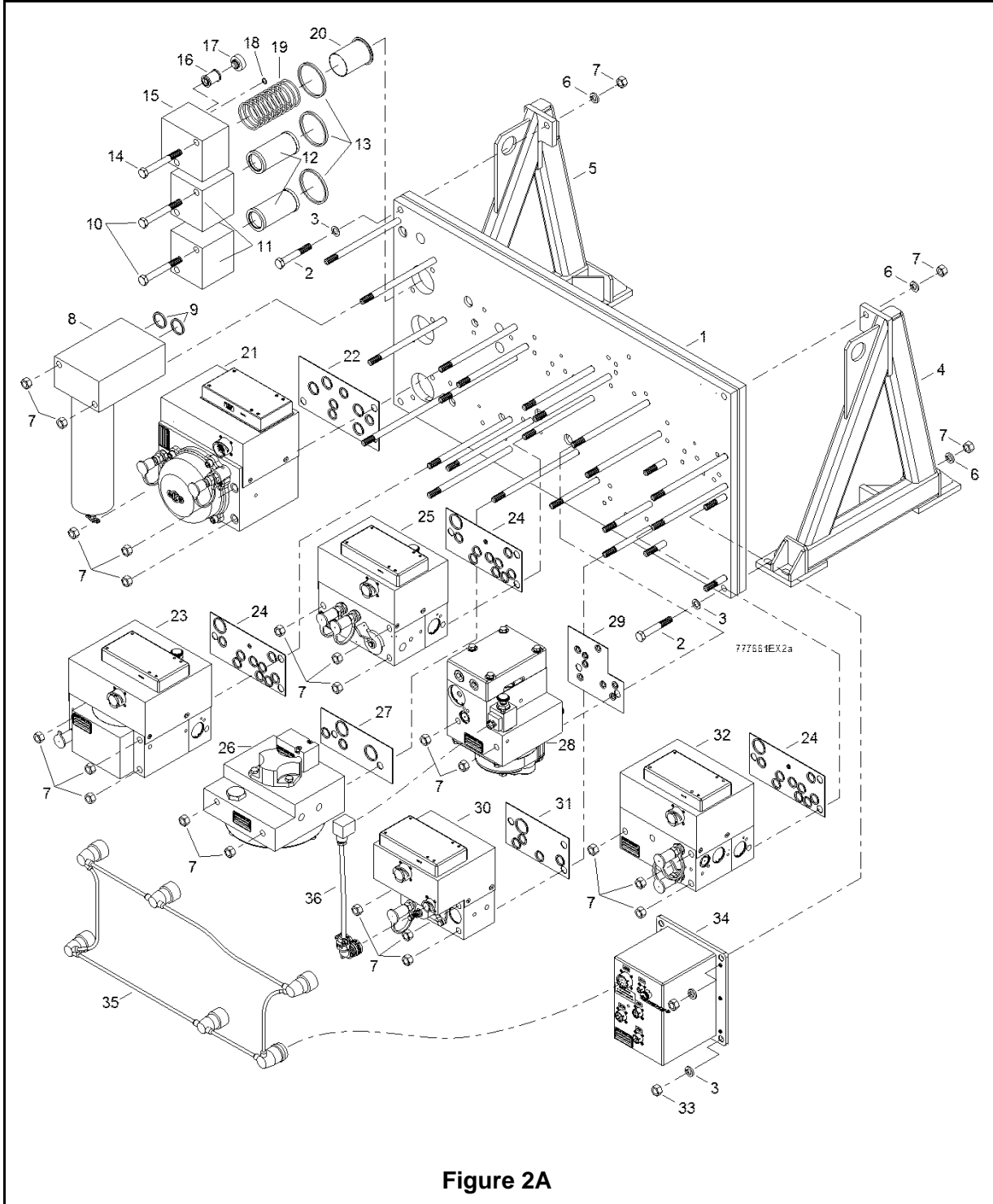


## EPCU

FIG. & INDEX	WEC	PART NO.	DRAW NO.	NO. REQ'D.	DESCRIPTION
<b>1B-</b>					
25	C	779052	779052	1	.. RESERVOIR
26	A	738339	EV-4303	3	.. GASKET, Ring Elastomer 15/16" od x 3/4" id x 1/8" t
27	C	757886	MC-1327	4	.. SCREW, Socket Head Cap Steel, Pltd. 5/8"-11 UNC x 2-1/4" long
28	C	776970	776970	1	.. PLATE ASSY, FLANGE ADAPTER
29	A	731061	BC-8383	2	.. GASKET, Ring Elastomer 2-1/4" od x 1-7/8" id x 1/4" t
30	C	747378	EV-6442	2	.. SCREW, Hex Head Cap Grd. 5 Steel, Pltd. 1/2"-13 UNC-2A x 1" long
31	C	751815	MC-950	2	.. WASHER, Plain Steel, Pltd. 1/2"
32	C	779051	779051	1	.. RESERVOIR, Auxiliary
33	A	731258	BC-8815	1	.. RING GASKET Elastomer 3/4" od x 9/16" id x 0.125" t
34	A	740441	EV-5732	1	.. RING GASKET Elastomer 1-1/2" od x 1-5/16" id x 0.130" t
		777047-1	777047-1		FILTER REPLACEMENT KIT



**EPCU**





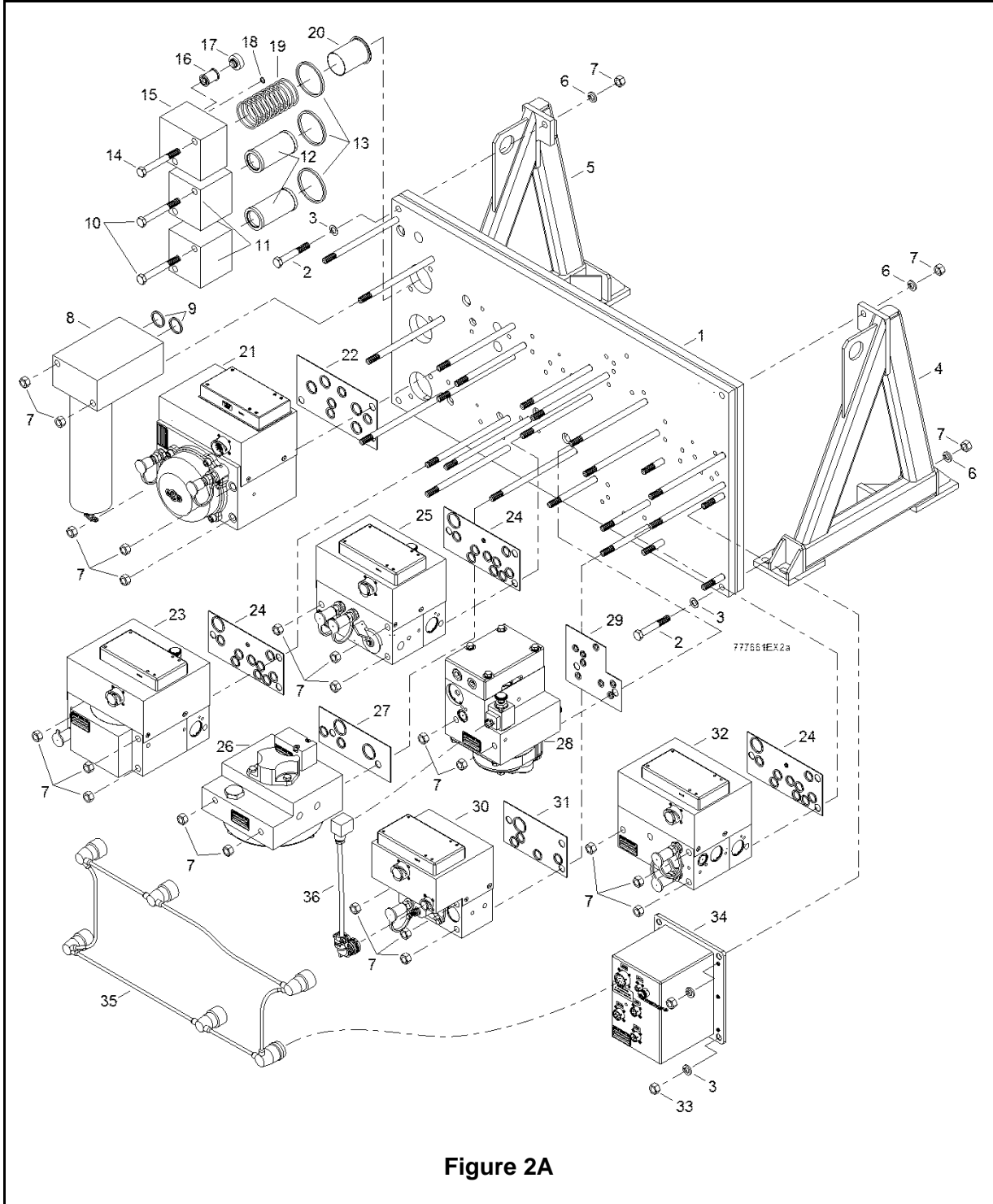
## EPCU

FIG. & INDEX	WEC	PART NO.	DRAW NO.	NO. REQ'D.	DESCRIPTION
2A-		788787-1585	788787		<b>ELECTRO-PNEUMATIC CONTROL UNIT</b> (units with serial number A0- or B0-xxxxx)
1	C	780209	780209	1	. MANIFOLD ASSEMBLY
2	C	760647	760647	4	. SCREW, Hex Head Cap Steel, Pltd. 1/2"-13 UNC-2A x 3-1/4" long
3	C	733331	CR-181	8	. WASHER, Special Steel, Pltd. 1/2"
4	C	776337	776337	1	. MOUNTING BRACKET (RH)
5	C	776336	776336	1	. MOUNTING BRACKET (LH)
6	C	735734	CR-1525	8	. LOCK WASHER Steel, Pltd. 7/8" od x 1/2" id x 0.125" t
7	C	734497	CV-424	25	. NUT, Hex Steel, Pltd. 1/2-13 UNC-2B x 0.437" t
8	*	775194	775194	1	. MR FILTER ASSEMBLY
9	A	745679	SR-58	2	. GASKET, Ring Elastomer 1-3/8" od x 1-3/16" id x 0.130" t
10	C	751161	MC-802	6	. SCREW, Hex Head Cap Steel, Pltd. 1/2"-13 UNC-2A x 4" long
11	C	774907	774907	2	. FILTER HOUSING
12	A	775081	775081	2	. FILTER ELEMENT

\*NOTE: Refer to individual Parts Catalog for replacement information.



**EPCU**



**Figure 2A**



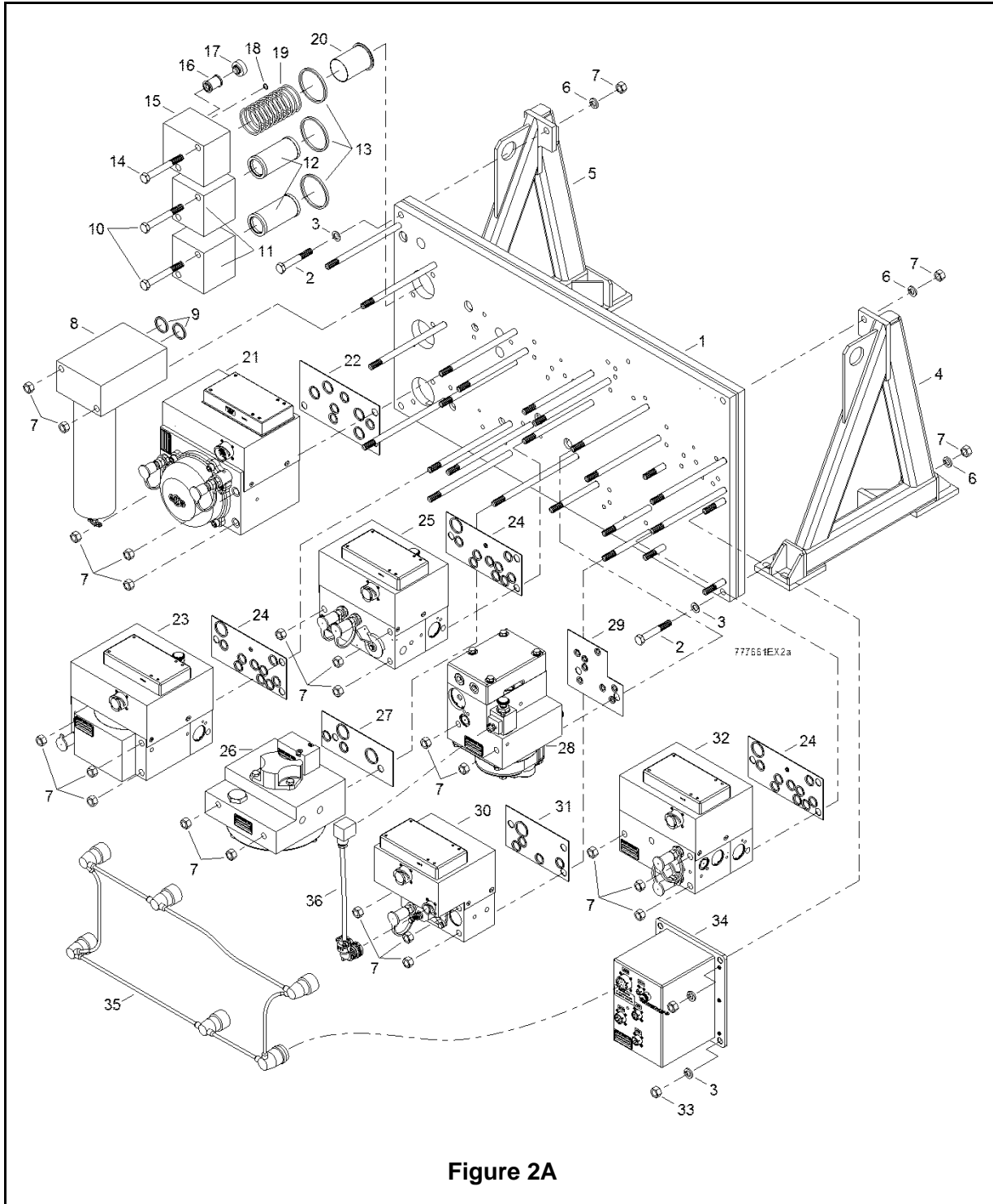
## EPCU

FIG. & INDEX	WEC	PART NO.	DRAW NO.	NO. REQ'D.	DESCRIPTION
<b>2A-</b>					
13	A	735272	DC-1078	3	. GASKET, Ring Elastomer 3" od x 2-23/32" id x 3/16" t
14	C	750890	MC-729	2	. SCREW, Hex Head Cap Steel, Pltd. 1/2"-13 UNC-2A x 3-1/2" long
15	C	777171	777171	1	. BP FILTER ASSEMBLY (Includes items 16 and 17)
16	A	775080	775080	1	. . FILTER ELEMENT
17	C	777174	777174	1	. . RETAINER, Filter
18	A	751369	HN-184	1	. O-RING Buna 9/16" od x 27/64" id x 0.070" t
19	A	776139	776139	1	. SPRING Stainless Steel 2-3/8" od x 0.130" dia. x 6" high
20	A	775931	775931	1	. FILTER SCREEN
21	C	776799-1585	776799	1	. BP CONTROL PORTION
22	A	775944	775944	1	. GASKET
23	C	774401-1585	774401	1	. 20 PIPE PORTION
24	A	775945	775945	3	. GASKET
25	C	776926-1585	776926	1	. ER CONTROL PORTION
26	C	776837	776837	1	. BC CONTROL PORTION
27	A	776855	776855	1	. GASKET
28	C	776840	776840	1	. DBTV PORTION





**EPCU**



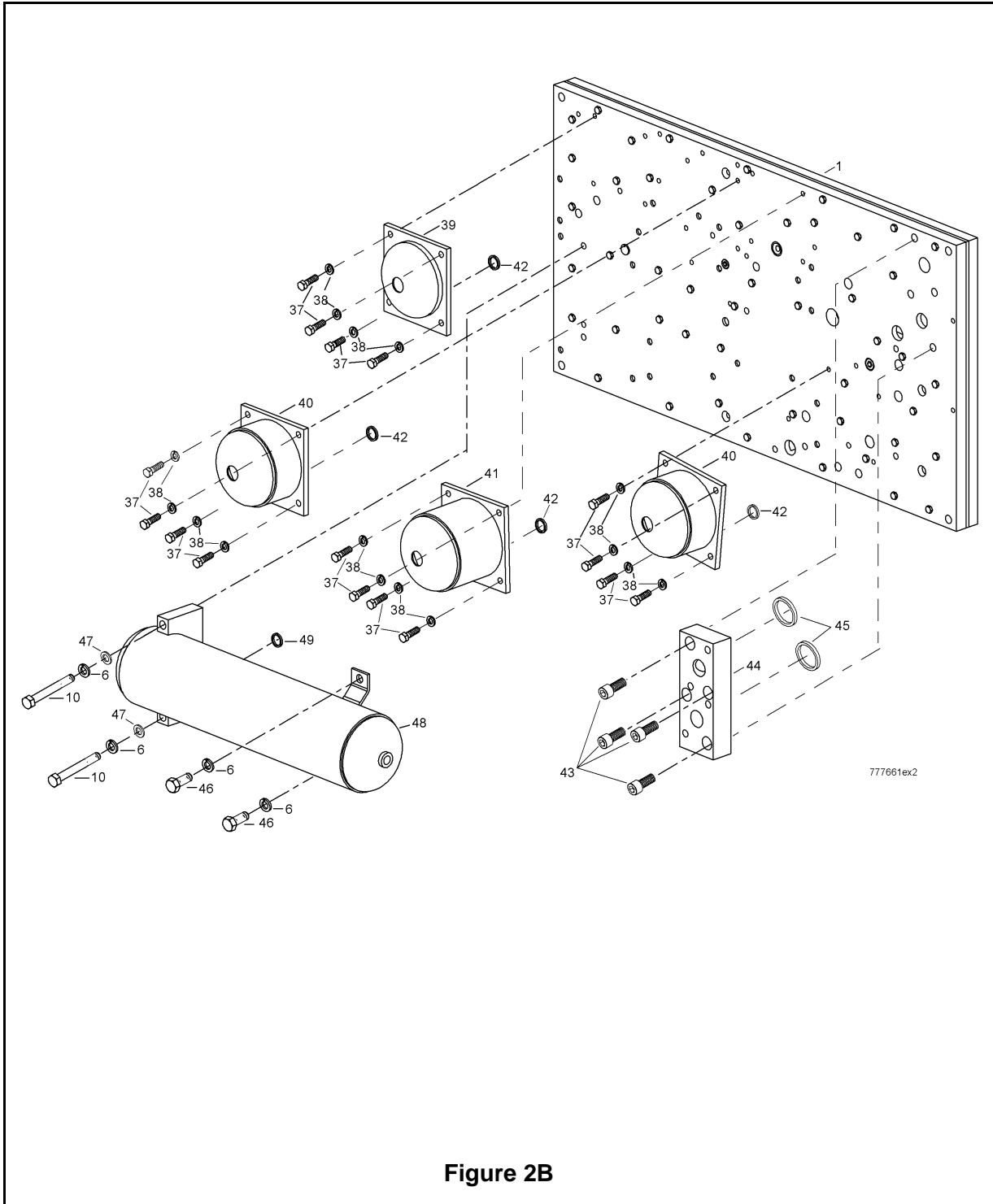


**EPCU**

FIG. & INDEX	WEC	PART NO.	DRAW NO.	NO. REQ'D.	DESCRIPTION
<b>2A-</b>					
29	A	775943	775943	1	. GASKET
30	C	776841-1585	775901	1	. 13 PIPE PORTION
31	A	775941	775941	1	. GASKET
32	C	776846-1585	776846	1	. 16 PIPE PORTION
33	A	751812	MC-947	4	. NUT, Elastic Stop Steel, Pltd. 3/8-16 UNC-3B
34	C	779082	779082	1	. JUNCTION BOX ASSY, Power Supply
35	C	774787	774787	1	. CABLE ASSEMBLY, EPCU
36	C	775904	775904	1	. DBI CABLE, CCB II



**EPCU**



**Figure 2B**

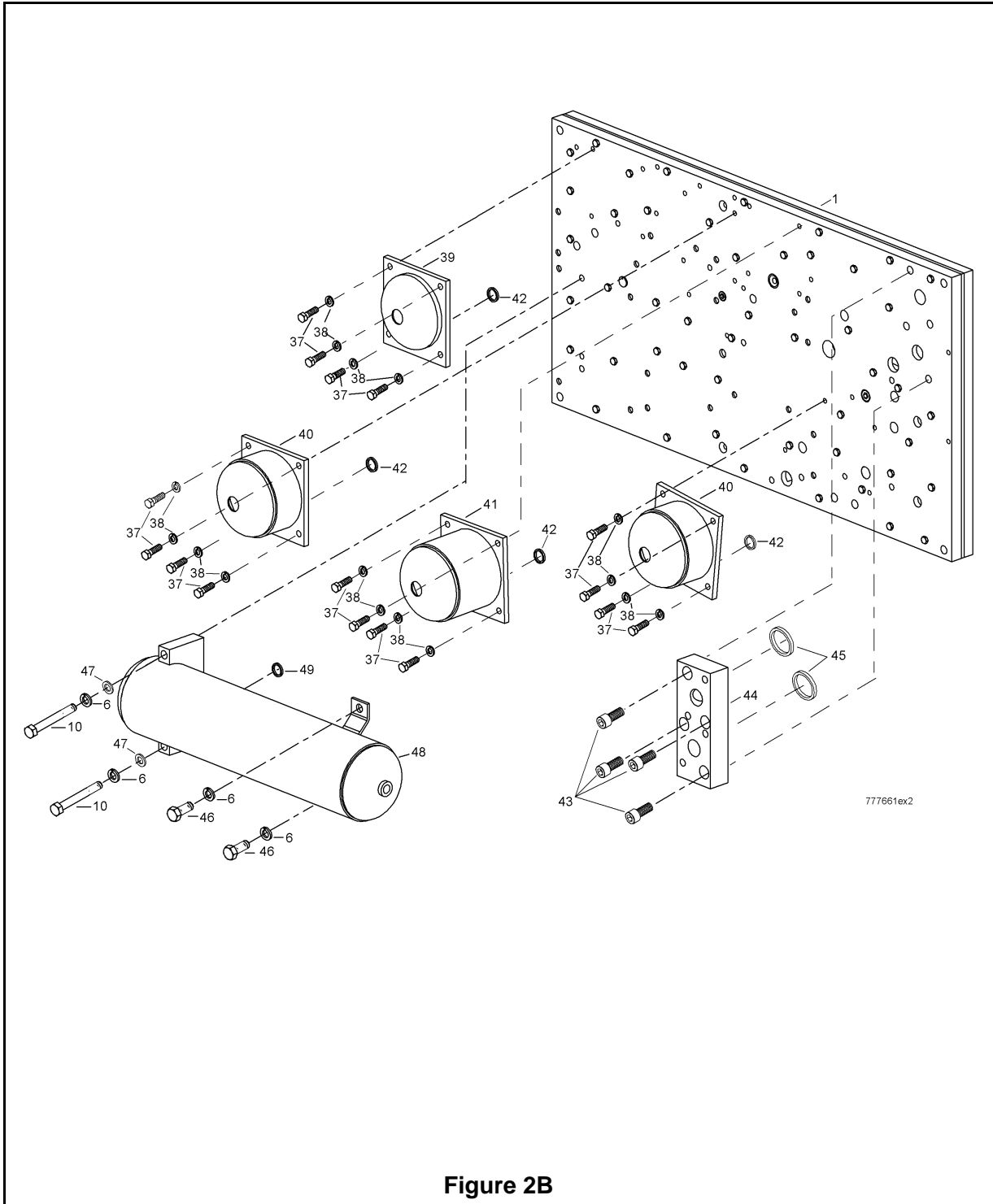


## EPCU

FIG. & INDEX	WEC	PART NO.	DRAW NO.	NO. REQ'D.	DESCRIPTION
<b>2B-</b>					
37	C	750600	MC-682	16	. SCREW, Hex Head Cap Steel, Pltd. 3/8-16 UNC-2A x 1-1/4" long
38	C	733364	CR-289	16	. LOCK WASHER, Split Steel, Pltd. 3/8"
39	C	779054	779054	1	. RESERVOIR
40	C	779053	779053	2	. RESERVOIR
41	C	779052	779052	1	. RESERVOIR
42	A	738339	EV-4303	4	. GASKET, Ring Elastomer 15/16" od x 3/4" id x 1/8" t
43	C	776211	776211	4	. SCREW, Socket Head Cap Steel, Pltd. 5/8"-11 UNC-2A x 1-1/2" long
44	C	776210	776210	1	. FLANGE ADAPTER
45	A	731061	BC-8383	2	. GASKET, Ring Elastomer 2-1/4" od x 1-7/8" id x 1/4" t
46	C	747378	EV-6442	2	. SCREW, Hex Head Cap Grd. 5 Steel, Pltd. 1/2"-13 UNC-2A x 1" long
47	C	751815	MC-950	2	. WASHER, Plain Steel, Pltd. 1/2"
48	C	779051	779051	1	. RESERVOIR, Auxiliary



**EPCU**



**Figure 2B**



**EPCU**

FIG. & INDEX	WEC	PART NO.	DRAW NO.	NO. REQ'D.	DESCRIPTION
<b>2B-</b>					
49	A	731258	BC-8815	1	. RING GASKET Elastomer 3/4" od x 9/16" id x 0.125" t
<hr/>					
		777047	777047		FILTER REPLACEMENT KIT



**EPCU**

**Spring Identification**

This tabulation is intended for identification only and should not be used for any other purpose. It does not represent a specification for the springs mentioned. It is based on calculated figures and the actual spring will vary somewhat, due to small differences in wire diameter, coil diameter, number of turns, etc.

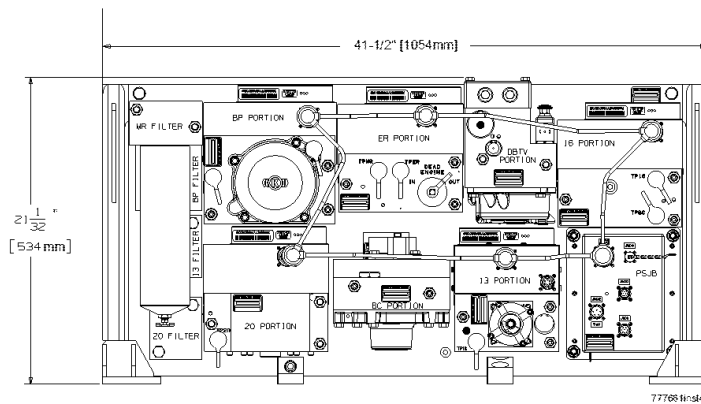
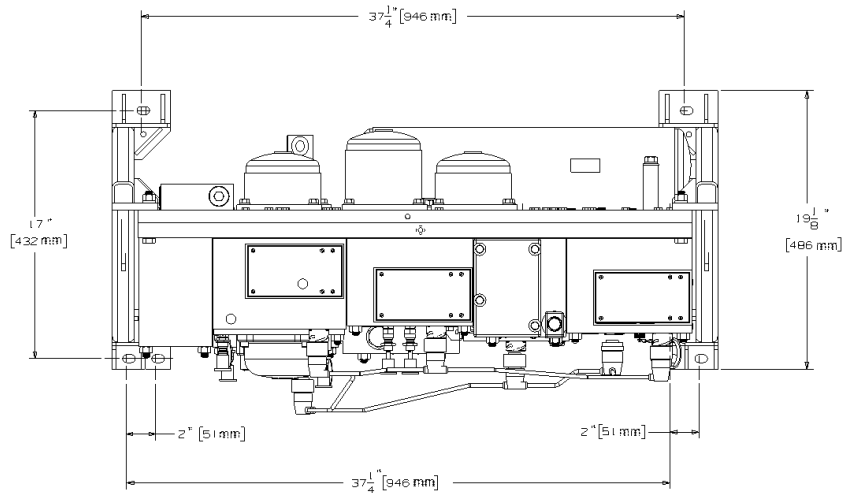
<b>PART NO.</b>	<b>NYAB NO.</b>	<b>APPROX. OUTSIDE DIA.</b>	<b>APPROX. DIA. WIRE</b>	<b>APPROX. FREE HEIGHT</b>	<b>APPROX. FREE TURNS</b>	<b>MATERIAL</b>
776139	776139	2-3/8"	1/8"	6"	11-1/2	Stainless Steel



## EPCU Installation Data

APPROXIMATE  
NET WEIGHT  
478 Lbs.

NOTE: Installation Data for EPCU starting with S/N C0-xxxxx:



### LRU MINIMUM REMOVAL CLEARANCES (From Front of Manifold Face)

BPCP	19"
ERCP	15-7/8"
DBTV	15-1/2"
16CP	17-3/8"
20CP	18-5/8"
BCCP	17"
13CP	12-3/4"
PSJB	8-3/4"
MR FILTER	16"

### PORT

### SIZE

MR	1-1/4" Flange
BP	1-1/4" Flange
BC	1" Flange
EX	1" Flange
13	1/2" NPT
20	1/2" NPT
BPVV	1/2" NPT
BCCO	1/2" NPT
21	1/2" NPT

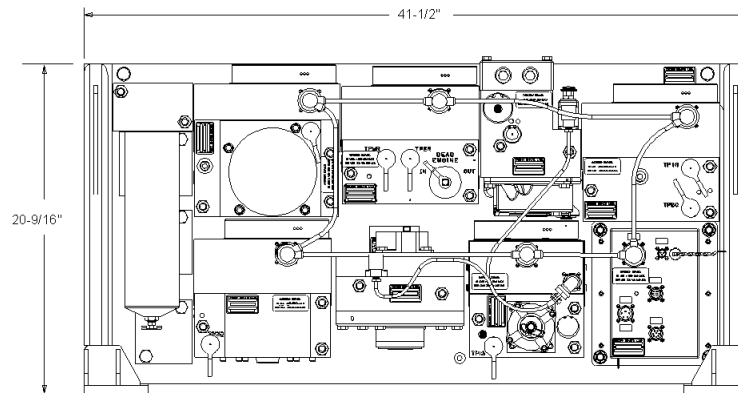
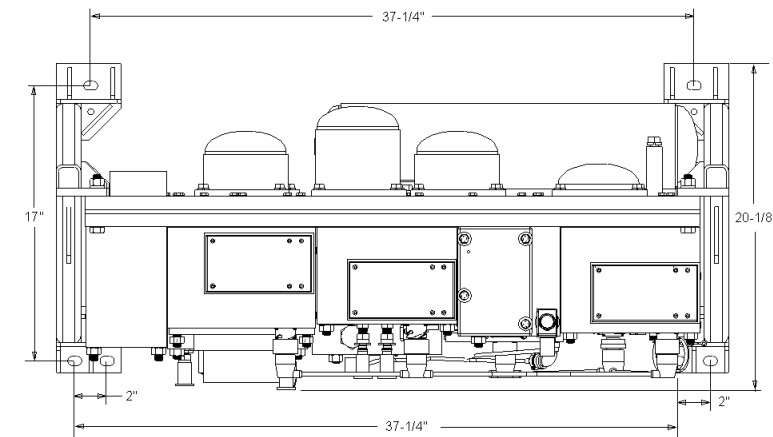




## EPCU Installation Data

APPROXIMATE  
NET WEIGHT  
478 Lbs.

NOTE: Installation Data for EPCU with S/N A0-xxxxx or B0-xxxxx:



777661ind1

LRU MINIMUM REMOVAL CLEARANCES (From Front of Manifold Face)	
BPCP	19"
ERCP	15-11/16"
DBTV	14-5/16"
16CP	16-3/16"
20CP	18-1/4"
BCCP	16-5/8"
13CP	10-3/4"
PSJB	8-49/64"
MR FILTER	16"

PORT	SIZE
MR	1-1/4" Flange
BP	1-1/4" Flange
BC	1" Flange
13	1/2" NPT
20	1/2" NPT
13F	1/2" NPT
20F	1/2" NPT
BPVV	1/2" NPT
BCCO	1/2" NPT
21	1/2"NPT