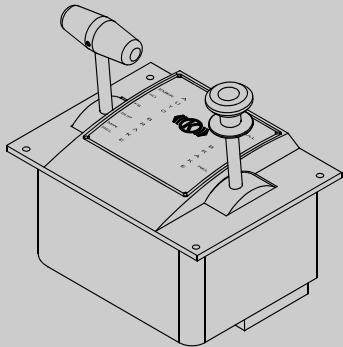


PC - 773746 - C

Rev. C (1/14/16) -en

Parts Catalog

Brake Valve Controller w/Vent Valve



NEW YORK AIR BRAKE





Contact address

New York Air Brake
748 Starbuck Avenue
Watertown, NY 13601

USA
Phone: +1 315 786 5200
Fax: +1 315 786 5676
www.nyab.com

Technical Changes

NYAB reserves the right to change the unit or this document at any time without giving special notice.

	<p>CAUTION</p> <p>When repairing this assembly, use only NYAB supplied parts. Use of commercially available parts may result in unsatisfactory performance of this assembly and the brake system it becomes a part of.</p>
--	---

	<p>CAUTION</p> <p>The purpose of this catalog is to identify the detail parts that make up this complete assembly. To avoid damage to this assembly and/or personal injury, utilize the applicable maintenance publications before attempting to disassembly or assembly this device.</p>
--	--

	<p>WARNING</p> <p>Whenever a part in this assembly is replaced, the assembly must pass the tests in the latest issue of the applicable New York Air Brake (NYAB) Test Specification. Additionally, a stationary vehicle test must be made to ensure that this device functions properly when installed in the total brake equipment arrangement. Consult your local NYAB representative to identify the applicable test specifications.</p>
--	--

Replacement Plan Category

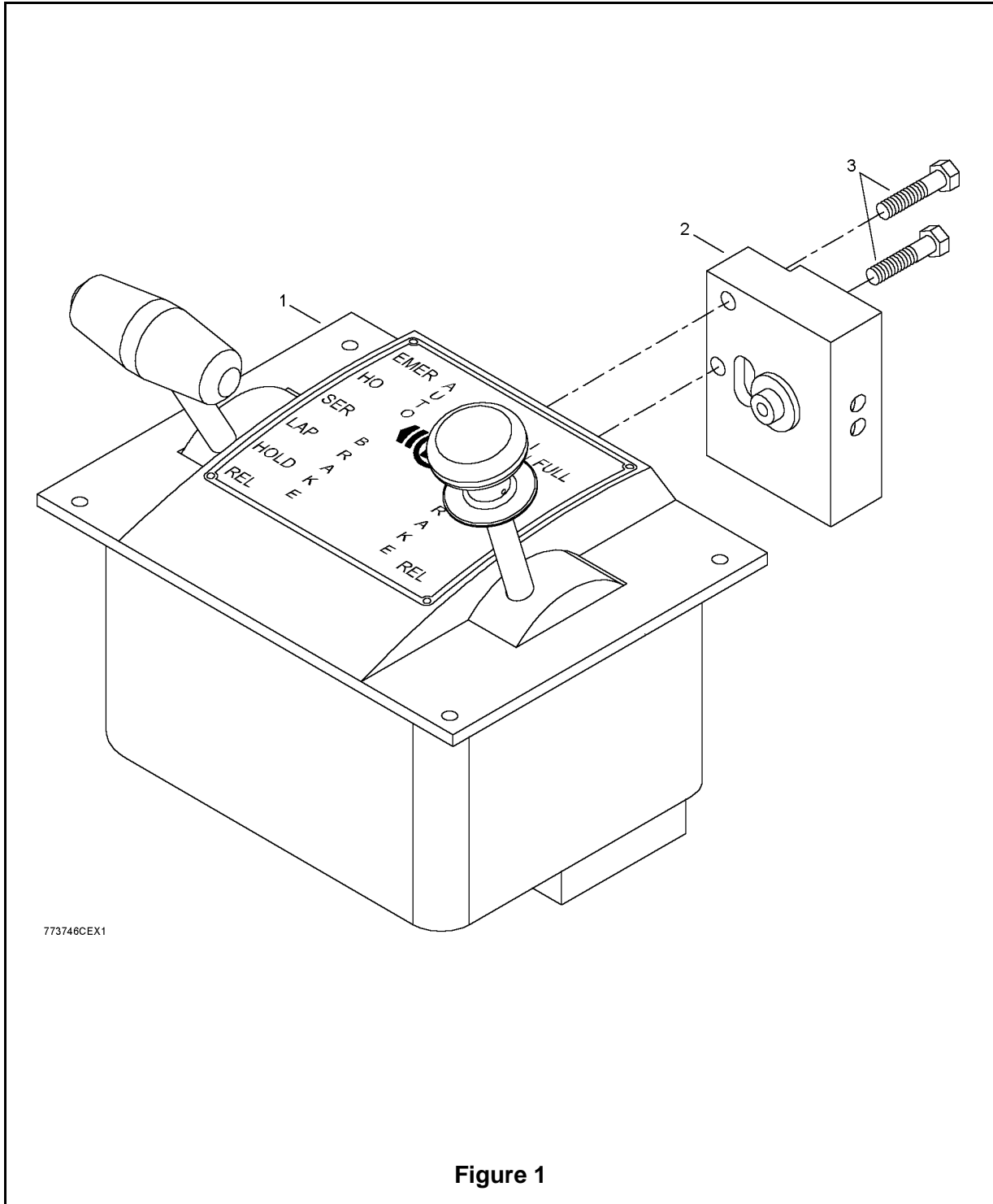
Definition of the letter code in the Replacement Plan column in the following pages:

Repl. Plan	Definition
A	100% Replacement at every scheduled overhaul.
B	Replacement dependent upon condition of part.
C	Replace if damaged during repair, maintenance or overhaul.

This document was originally written in English.



Brake Valve Controller w/Vent Valve



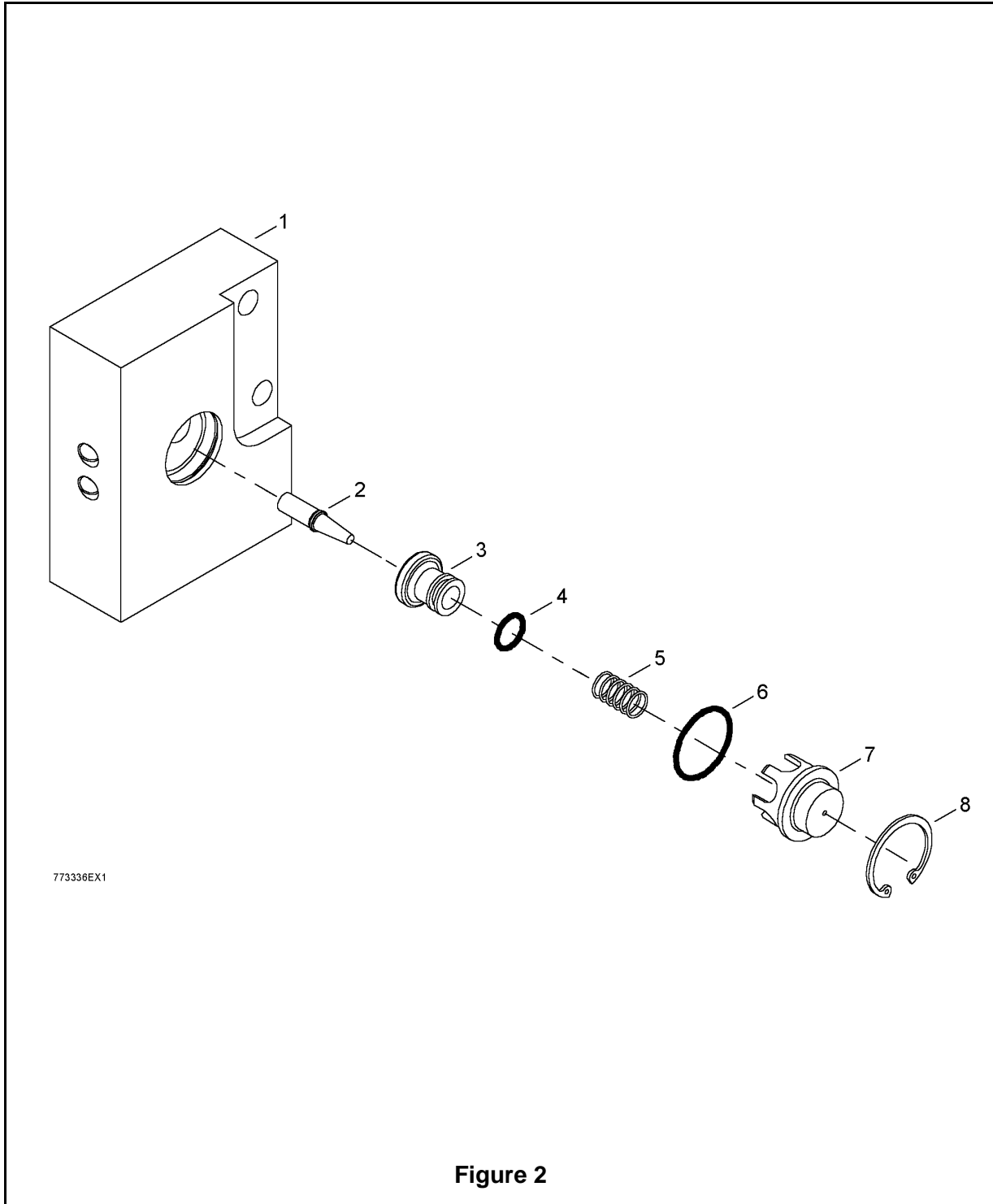


Brake Valve Controller w/Vent Valve

FIG. & INDEX	REPL. PLAN	PART NO.	DRAW NO.	NO. REQ'D.	DESCRIPTION
1-1		773746	773746		BRAKE VALVE CONTROLLER W/ VENT VALVE (Includes items 2 and 3)
1-2	C	773336	773336	1	. VENT VALVE ASSEMBLY (See Figure 2)
1-3	C	754247	MC-1166	2	. SCREW, Hex Head Cap Steel, Pltd. 5/16"-18 UNC-2A x 1-1/2" long



Brake Valve Controller w/Vent Valve





Brake Valve Controller w/Vent Valve

FIG. & INDEX	REPL. PLAN	PART NO.	DRAW NO.	NO. REQ'D.	DESCRIPTION
2-		773336	773336		VENT VALVE ASSEMBLY
2-1	C	773337	773337	1	. BODY ASSEMBLY
2-2	A	773340	773340	1	. STEM
2-3	A	776499	776499	1	. PISTON ASSEMBLY, Check Valve
2-4	A	743504	RA-19	1	. O-RING Buna 1/2" od x 23/64" id x 0.070" t
2-5	A	766305	766305	1	. SPRING, Valve Stainless Steel 19/64" od x 0.038" dia. x 11/16" high
2-6	A	755571	HN-95	1	. O-RING Buna 1" od x 55/64" id x 0.070" t
2-7	C	773338	773338	1	. GUIDE, Check
2-8	A	739564	EV-4860	1	. RETAINING RING Steel, Pltd. 1-7/64" od x 0.042" t
<hr/>					
		777955	777955		REPAIR KIT, Vent Valve Assembly
		777696	777696		INSTALLATION KIT, Vent Valve Assembly

Brake Valve Controller w/Vent Valve Installation Data

