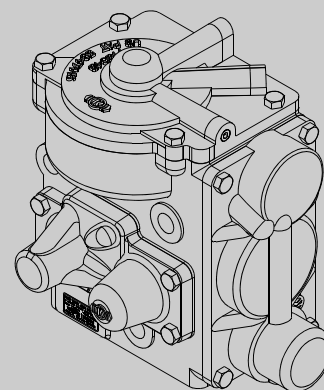


.....
.....
PC - 769141

Rev. U (12/5/17) -en
.....

.....
Parts Catalog

DB20 Emergency Portion (Cast Iron)
P/N I85177/001D (769141)



NEW YORK AIR BRAKE





Contact address

New York Air Brake
748 Starbuck Avenue
Watertown, NY 13601
USA

Phone: +1 315 786 5200
Fax: +1 315 786 5676
www.nyab.com

Technical Changes

NYAB reserves the right to change the unit or this document at any time without giving special notice

	CAUTION When repairing this assembly, use only NYAB supplied parts. Use of commercially available parts may result in unsatisfactory performance of this assembly and the brake system it becomes a part of.
--	------------------------------------------------------------------------------------------------------------------------------------------------------------------------------------------------------------------------

	CAUTION The purpose of this catalog is to identify the detail parts that make up this complete assembly. To avoid damage to this assembly and/or personal injury, utilize the applicable maintenance publications before attempting to disassembly or assembly this device.
--	---------------------------------------------------------------------------------------------------------------------------------------------------------------------------------------------------------------------------------------------------------------------------------------

	WARNING Whenever a part in this assembly is replaced, the assembly must pass the tests in the latest issue of the applicable New York Air Brake (NYAB) Test Specification. Additionally, a stationary vehicle test must be made to ensure that this device functions properly when installed in the total brake equipment arrangement. Consult your local NYAB representative to identify the applicable test specifications.
--	-----------------------------------------------------------------------------------------------------------------------------------------------------------------------------------------------------------------------------------------------------------------------------------------------------------------------------------------------------------------------------------------------------------------------------------------

Wearing Code (WEC)

Definition of the Wearing Code designation in the following pages:

WEC	Definition
A	These parts must be replaced upon removal
B	These parts must be replaced at every overhaul
C	These parts must be replaced or reconditioned if they have worn so severely that the unit cannot be guaranteed to function reliably with them until the next overhaul. If necessary, further information on testing these parts can be found in the overhaul instructions.
D	These parts must be replaced at every service and every overhaul
	Parts that do not have a WEC code must be visually inspected. If damage is found on the parts, they must be replaced.

This document was originally written in English.



DB20 EMERGENCY PORTION

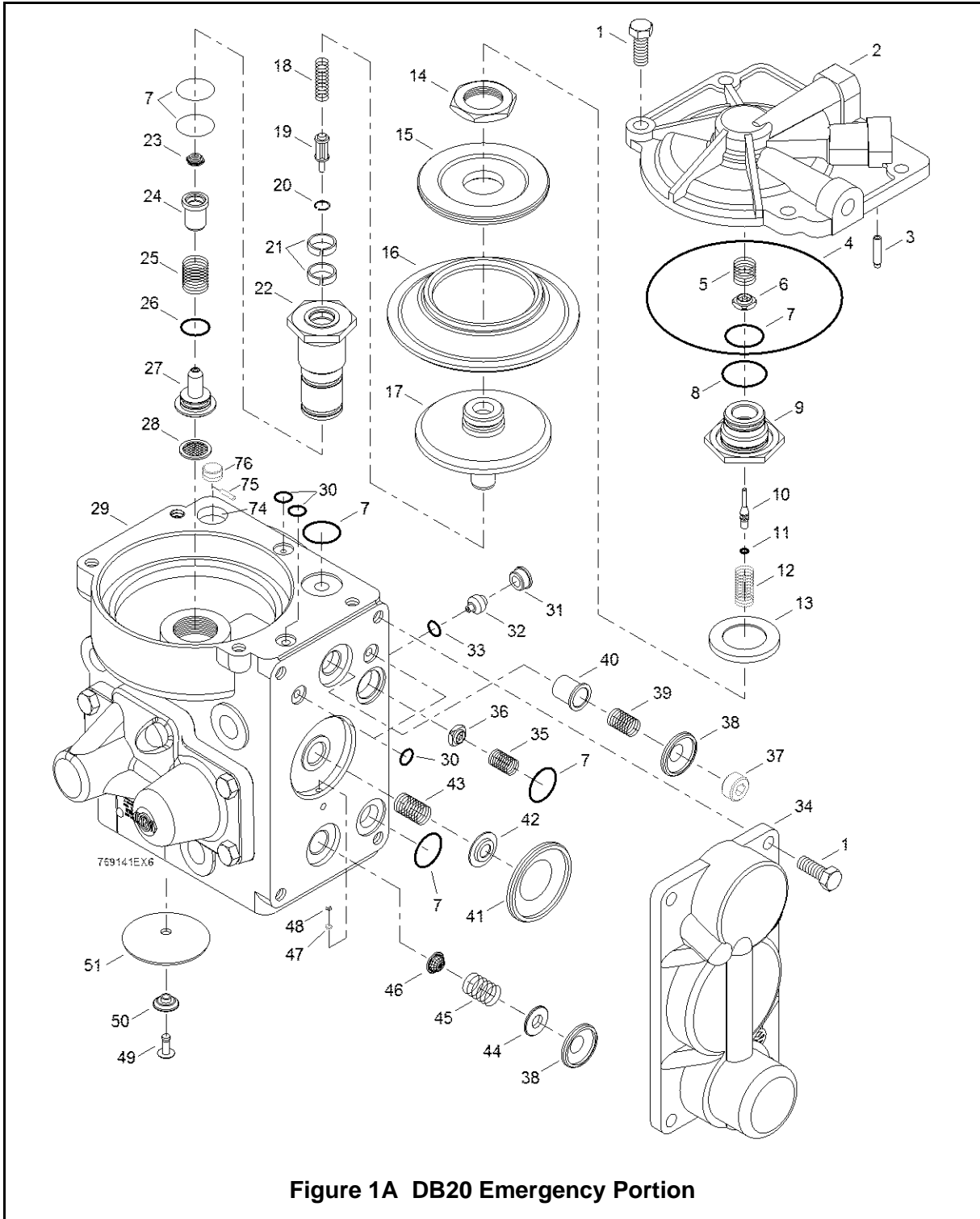


Figure 1A DB20 Emergency Portion



DB20 EMERGENCY PORTION

FIG. & INDEX	WEC	PART NO.	DRAW NO.	NO. REQ'D.	DESCRIPTION
1A-					
1A-1		B73354/1	769162	12	. CAP SCREW Hex Head Steel, Pltd. 3/8" x 1" long
1A-2		I85179/N	769497	1	. COVER ASSEMBLY Cast Iron
1A-3	B	B40415	B40415	1	. FILTER
1A-4	B	789885-015	789885	1	. O-RING Buna M 113 od x 110 id x 1.5 t
1A-5	C	785125	785125	1	. SPRING Accelerated Application Sensor Valve Stainless Steel 0.587" od x 0.055" dia. x 1.122" high (Used on portions starting with S/N J0-xxxxx)
1A-6	B	B73417	769315	1	. CHECK VALVE Brass Accelerated Application Sensor
		779299	779299	1	. CHECK VALVE Plastic Accelerated Application Sensor (No longer used, replaced by P/N B73417)
1A-7	B	789885-003	789885	6	. O-RING Buna M 28 od x 23 id x 2.5 t
1A-8	B	789885-004	789885	3	. O-RING Buna M 37 od x 32 id x 2.5 t



DB20 EMERGENCY PORTION

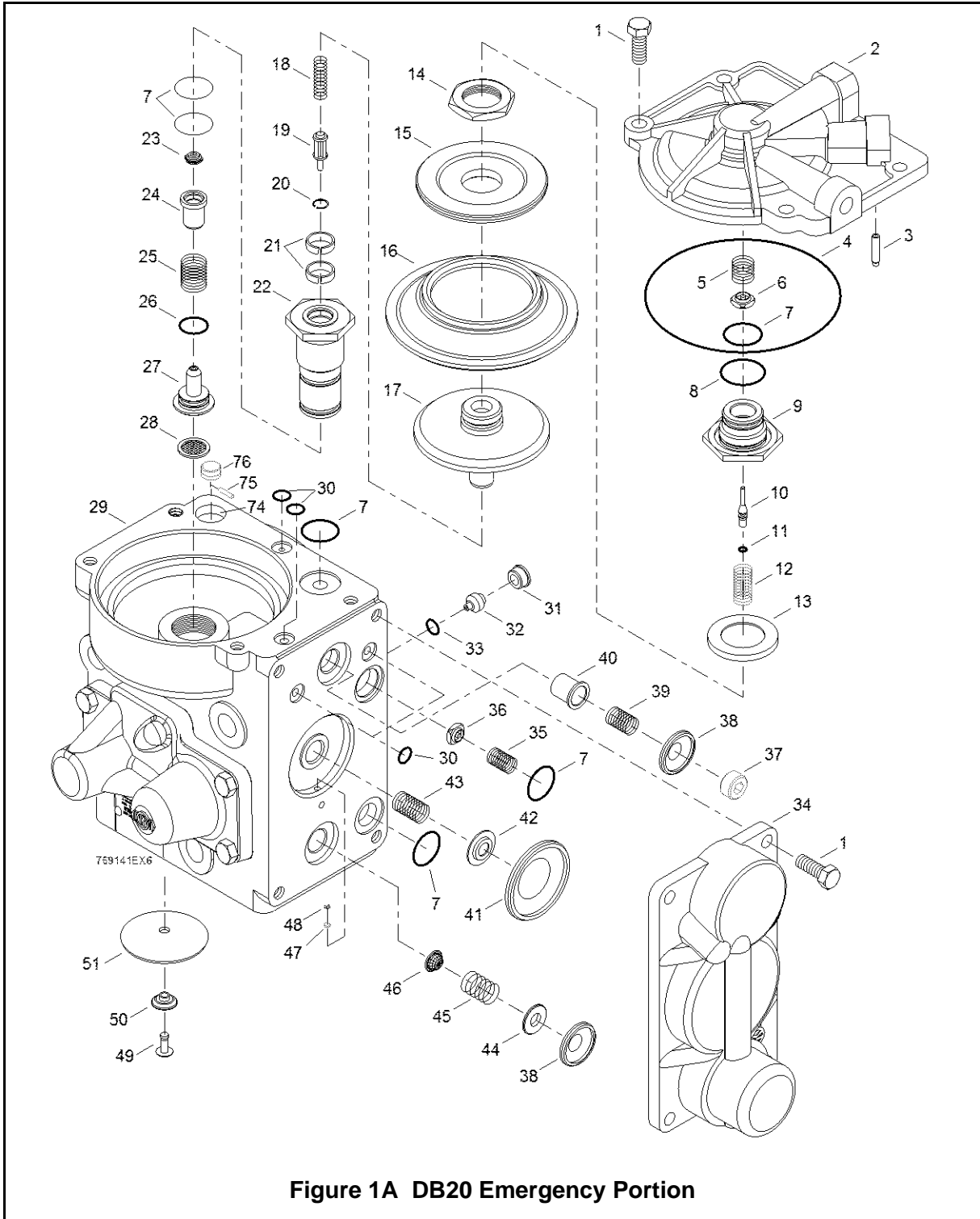


Figure 1A DB20 Emergency Portion



DB20 EMERGENCY PORTION

FIG. & INDEX	WEC	PART NO.	DRAW NO.	NO. REQ'D.	DESCRIPTION
1A-					
1A-9	C	B73404	769314	1	. BUSHING w/Valve Seat and Sensor Valve Choke
1A-10	C	777932	777932	1	. STEM Sensor Valve (Used on portions starting with S/N E0-xxxxx.)
		769313	769313	1	. STEM Sensor Valve (Used on portions before S/N E0-xxxxx) Replace with P/N 777932)
1A-11	B	789885-019	789885	2	. O-RING Buna 6 od x 2.8 id x 1.6 t
1A-12					. SPRING (Part deleted starting with S/N B0-xxxxx) (Remove and discard - Do not replace)
1A-13	C	B73408	769317	1	. RING
1A-14		B73407	769318	1	. HEX NUT Special
1A-15		B73410	769319	1	. PISTON PLATE Follower
1A-16	B	B73608	769206	1	. DIAPHRAGM Emergency Main Piston
1A-17	C	I85182	769321	1	. PISTON Emergency Main



DB20 EMERGENCY PORTION

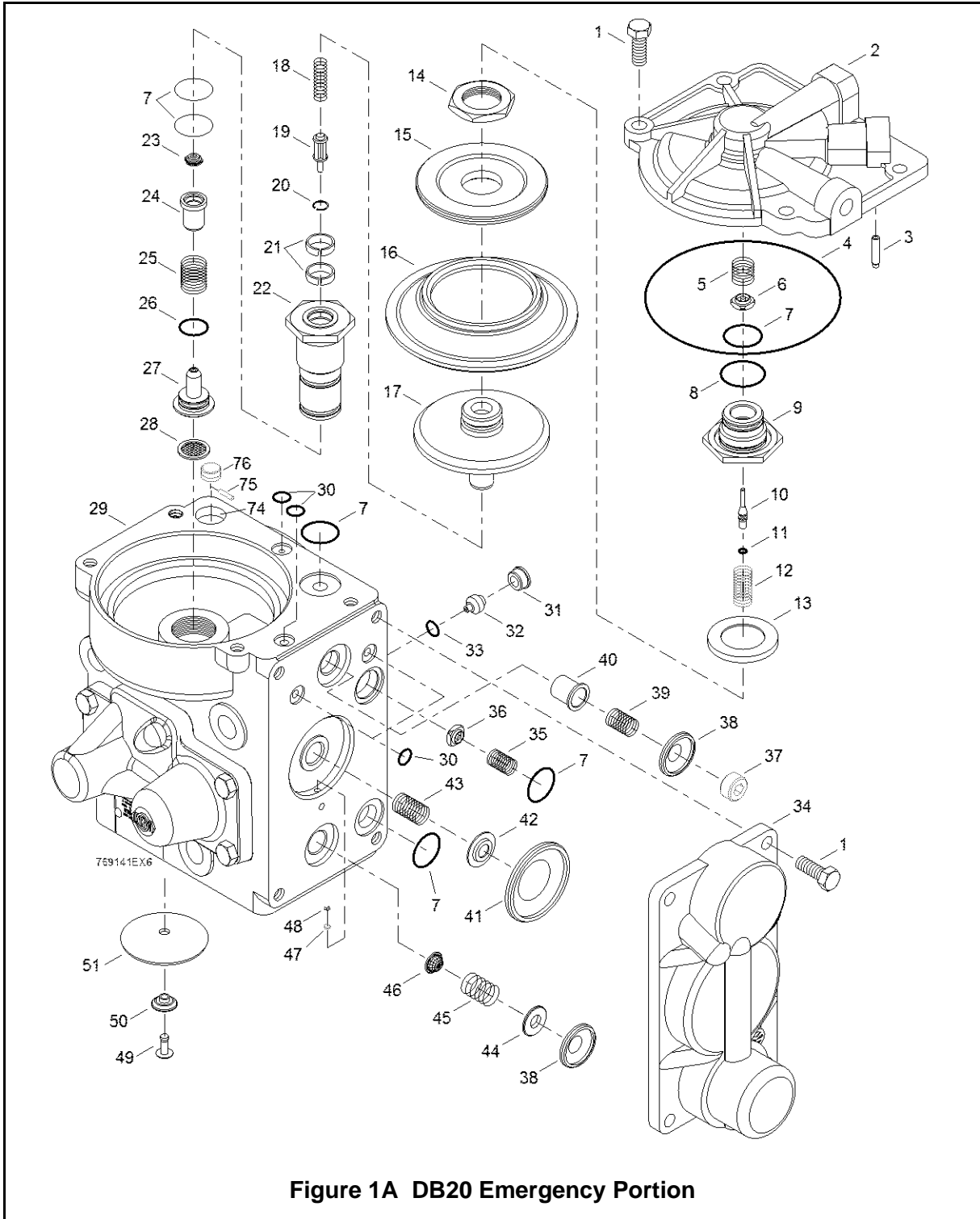


Figure 1A DB20 Emergency Portion



DB20 EMERGENCY PORTION

FIG. & INDEX	WEC	PART NO.	DRAW NO.	NO. REQ'D.	DESCRIPTION
1A-					
1A-18	C	769309	769309	1	. SPRING Lost Motion Stainless Steel or Pltd. Music Wire 0.350" od x 0.043" dia. x 1.799" high
1A-19	C	B73427	769307	1	. STEM Lost Motion
1A-20	A	450978	450978	2	. RETAINING RING
1A-21	B	B57341/4	769311	2	. GUIDE RING
1A-22	C	B89989	769308	1	. BUSHING Threaded
1A-23	B	B73365/1	769305	2	. CHECK VALVE QA-Pressure Discharging Valve and High Pressure Valve
1A-24	C	B73414	769304	1	. VALVE GUIDE
1A-25	C	B73386	769303	1	. SPRING QA-Pressure Discharging Valve Stainless Steel or Pltd. Music Wire 0.679" od x 0.049" dia. x 2.200" high
1A-26	B	789885-009	789885	3	. O-RING Buna M 21 od x 16 id x 2.5 t
1A-27	C	B73413	769302	1	. BUSHING w/Valve Seat and Emergency Sensitivity Choke
1A-28	B	B79054	769310	1	. STRAINER



DB20 EMERGENCY PORTION

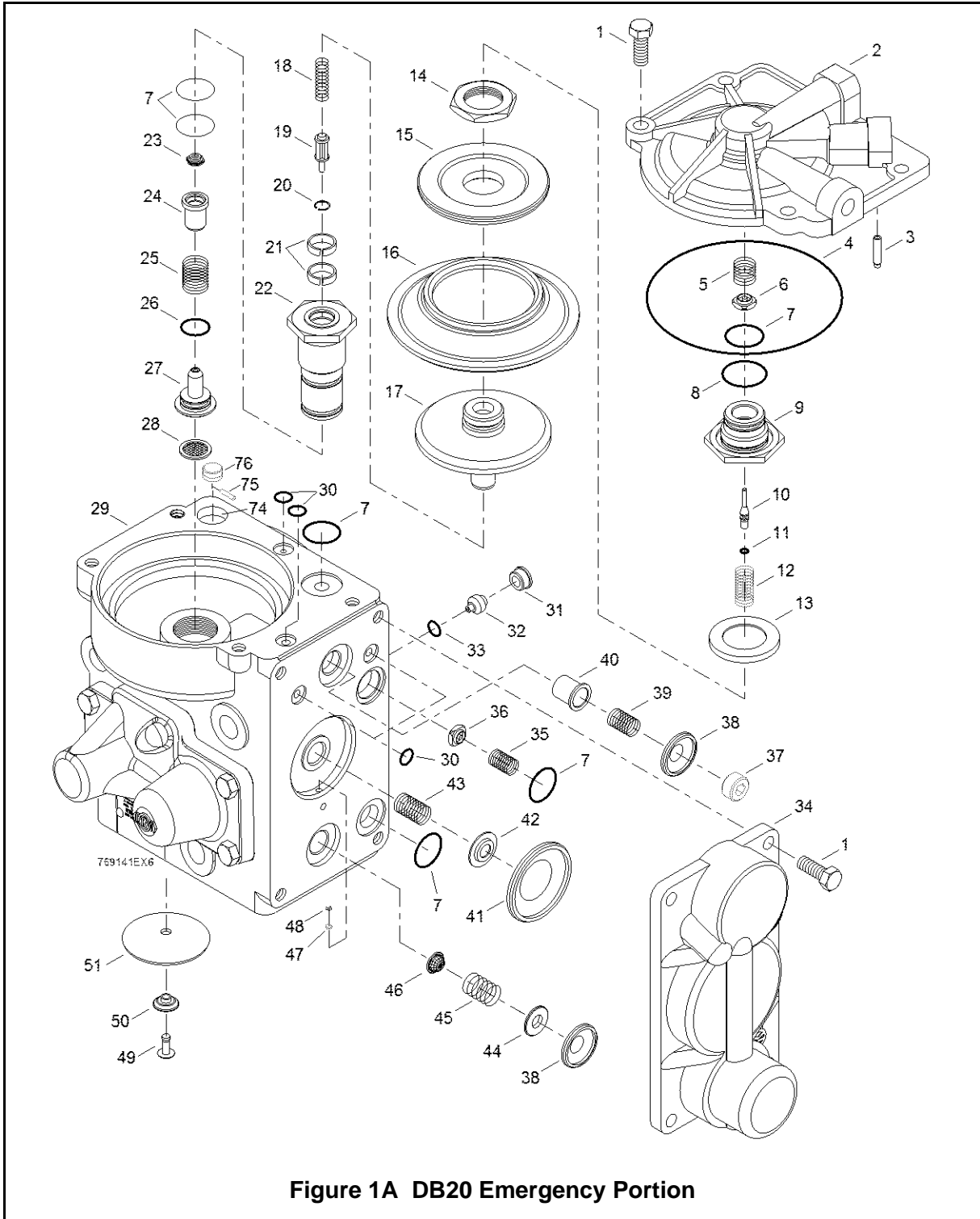


Figure 1A DB20 Emergency Portion



DB20 EMERGENCY PORTION

FIG. & INDEX	WEC	PART NO.	DRAW NO.	NO. REQ'D.	DESCRIPTION
1A-					
1A-29		I85178	769301	1	. HOUSING ASSEMBLY
1A-30	B	789885-002	789885	7	. O-RING NBR 70 M 14 od x 9 id x 2.5 t
1A-31	B	A52965/3	A52965/3	1	. RETAINING NUT W/Filter Screen
1A-32	C	B73440	769338	1	. CHOKE QA-Chamber Charging
1A-33	B	789885-011	789885	1	. O-RING Buna M 12.81 od x 9.25 id x 1.78 t
1A-34		776215	776215	1	. COVER ASSEMBLY Cast Iron - KBSA manufactured (Used on portions starting with S/N D0-xxxxx) (See Figure 2)
		I85181	769336	1	. COVER ASSEMBLY Cast Iron (Used on portions before S/N D0-xxxxx)
1A-35	C	B73438	769355	1	. SPRING Emergency Accelerated Release Check Valve Stainless Steel 0.456" od x 0.031" id x 1.157" high
1A-36	B	B73364/3	B73364/3	1	. CHECK VALVE Emergency Accelerated Release



DB20 EMERGENCY PORTION

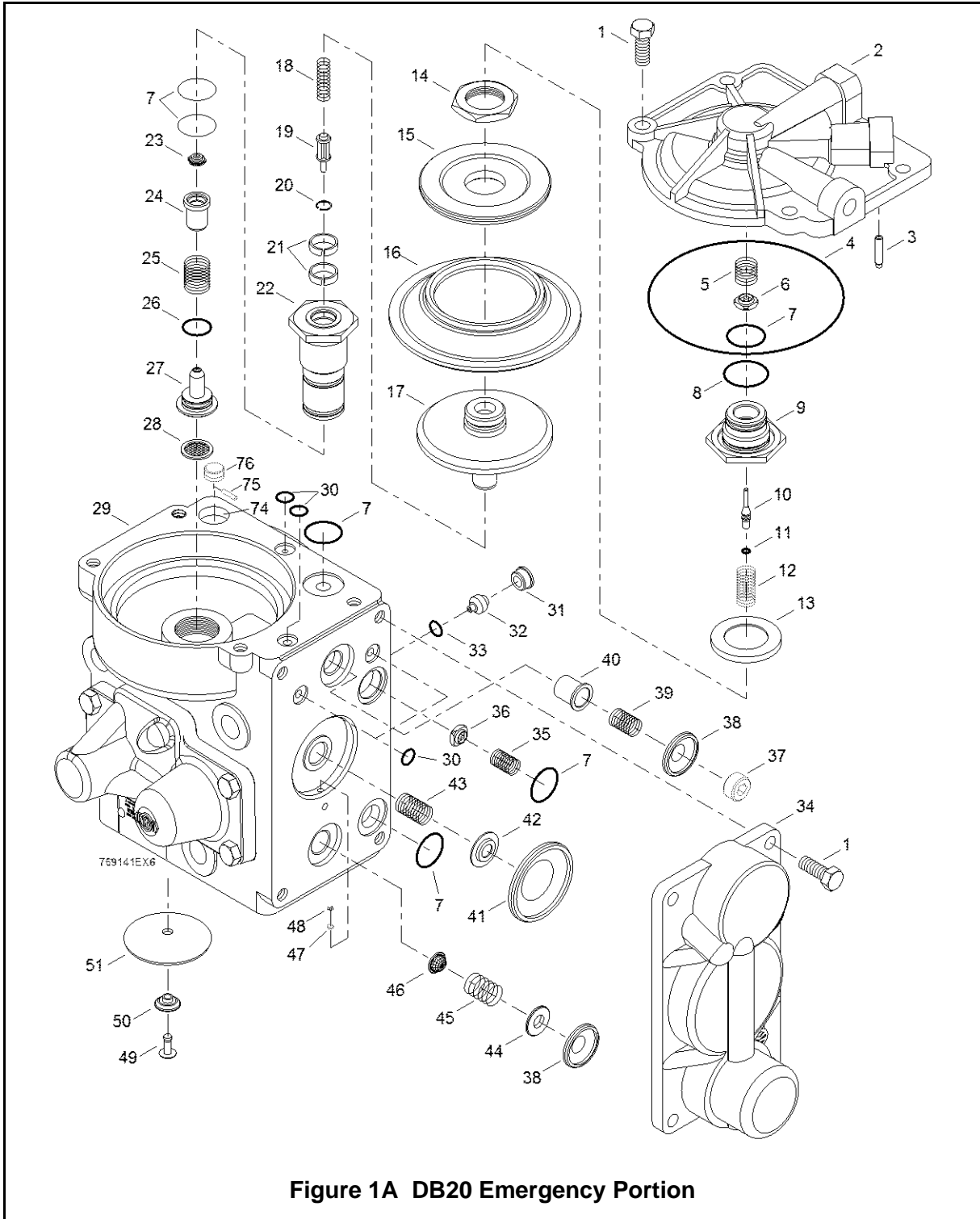


Figure 1A DB20 Emergency Portion



DB20 EMERGENCY PORTION

FIG. & INDEX	WEC	PART NO.	DRAW NO.	NO. REQ'D.	DESCRIPTION
1A-					
1A-37		B63623	B63623	1	. SPACER RING (Part of Item 2-2 starting with S/N D0-xxxxx) (This part no longer available)
1A-38	B	B57993	769233	2	. DIAPHRAGM Emergency Accelerated Release Valve and BP-Discharging Valve
1A-39	C	769324	769324	1	. SPRING Emergency Accelerated Release Valve Stainless Steel or Pltd. Music Wire 0.502" od x 0.049" dia. x 1" high
1A-40	C	B73402	769323	1	. SPRING GUIDE
1A-41	B	B77023	769242	1	. DIAPHRAGM Pulsating Valve
1A-42	C	B73389	769332	1	. WASHER Pulsating Valve
1A-43	C	B77450	769333	1	. SPRING Pulsating Valve Stainless Steel or Pltd. Music Wire 0.551" od x 0.059" dia. x 1.397" high
1A-44	C	B73403	769334	1	. WASHER BP-Discharging Valve
1A-45	C	B76636	769335	1	. SPRING BP-Discharging Valve Stainless Steel or Pltd. Music Wire 0.610" od x 0.059" id x 1.748" high



DB20 EMERGENCY PORTION

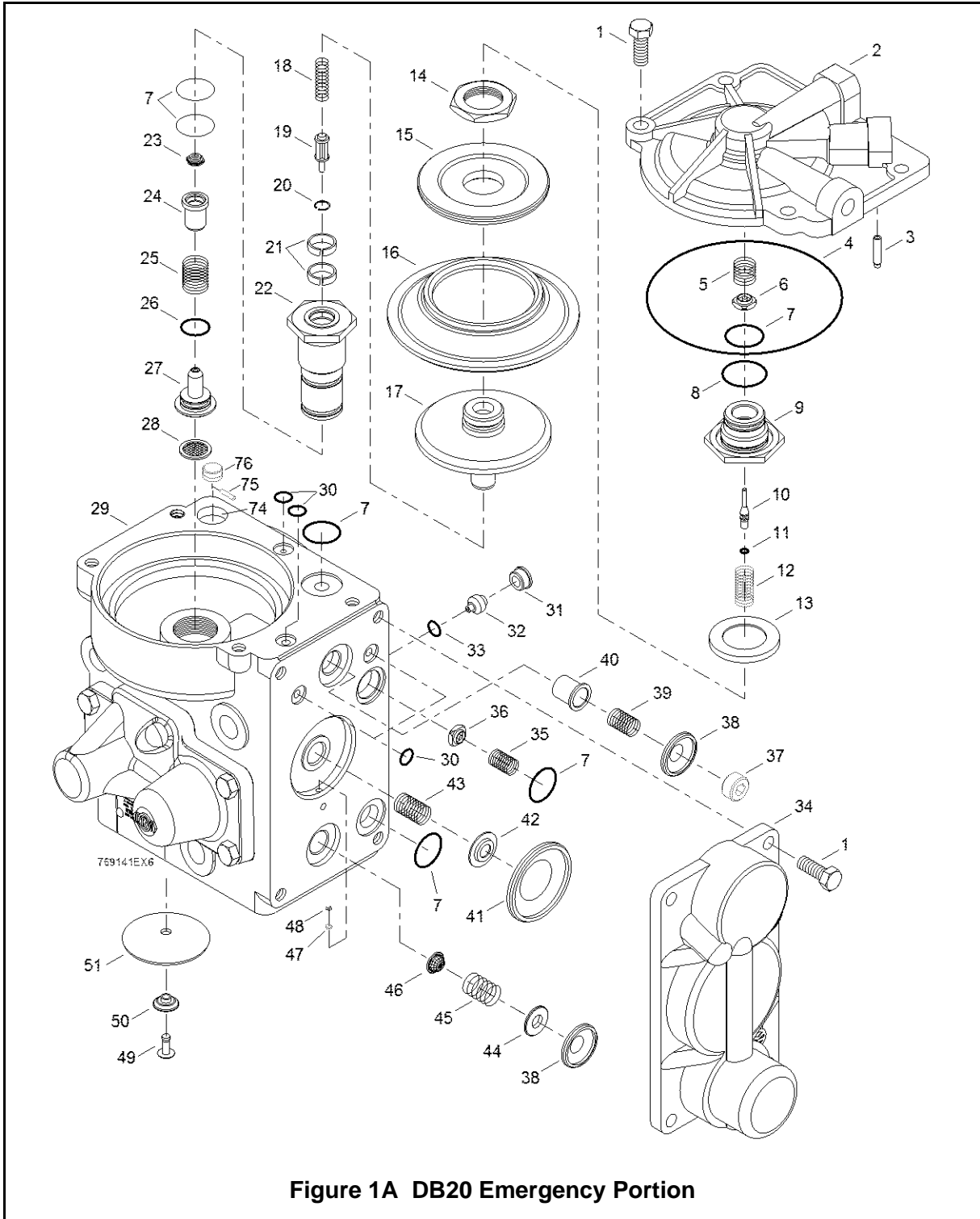


Figure 1A DB20 Emergency Portion

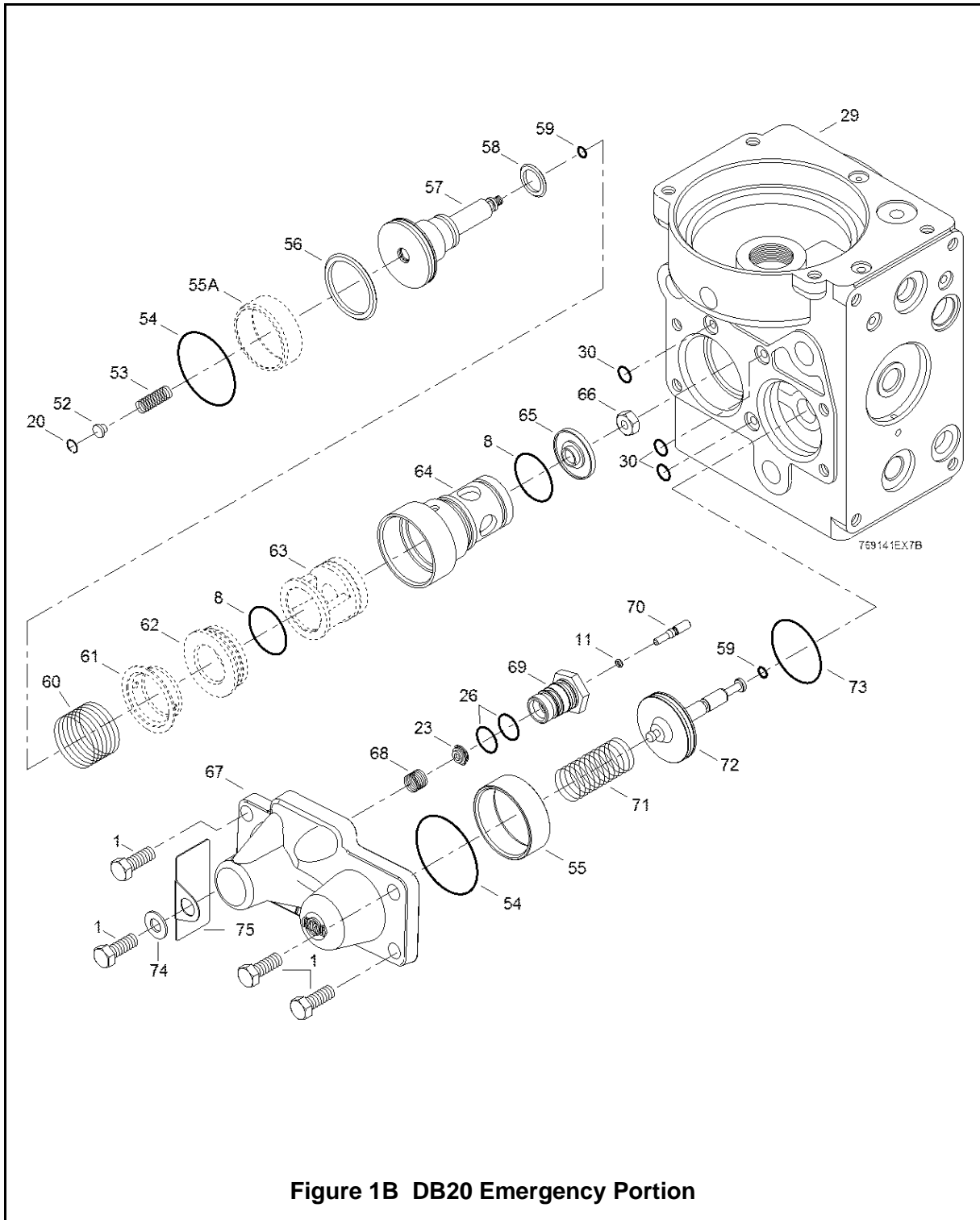


DB20 EMERGENCY PORTION

FIG. & INDEX	WEC	PART NO.	DRAW NO.	NO. REQ'D.	DESCRIPTION
1A-					
1A-46	B	A43212	A43212	1	. STRAINER
1A-47		B50438/1	B50438/1	1	. FILTER (Part deleted starting with S/N C0-xxxxx)
1A-48		A62331/1	A62331/1	1	. RETAINING RING Circular Self-Locking (Part deleted starting with S/N C0-xxxxx)
1A-49		B88652	769185	1	. POP RIVET
1A-50	B	B88621	769272	1	. SPACER RING
1A-51	B	B63347	769299	1	. VENT FLAP
1A-74					. SPILLOVER CHECK VALVE BORE (Deleted starting with S/N B0-xxxxx)
1A-75	C	773777	773777	1	. STEEL PIN (Used on S/N A0-xxxxx portions only, along with Item 1A-76, to replace Spillover Check Valve)
1A-76	C	732432	732432	1	. BRASS PLUG (Used on S/N A0-xxxxx portions only, along with Item 1A-75, to replace Spillover Check Valve)



DB20 EMERGENCY PORTION





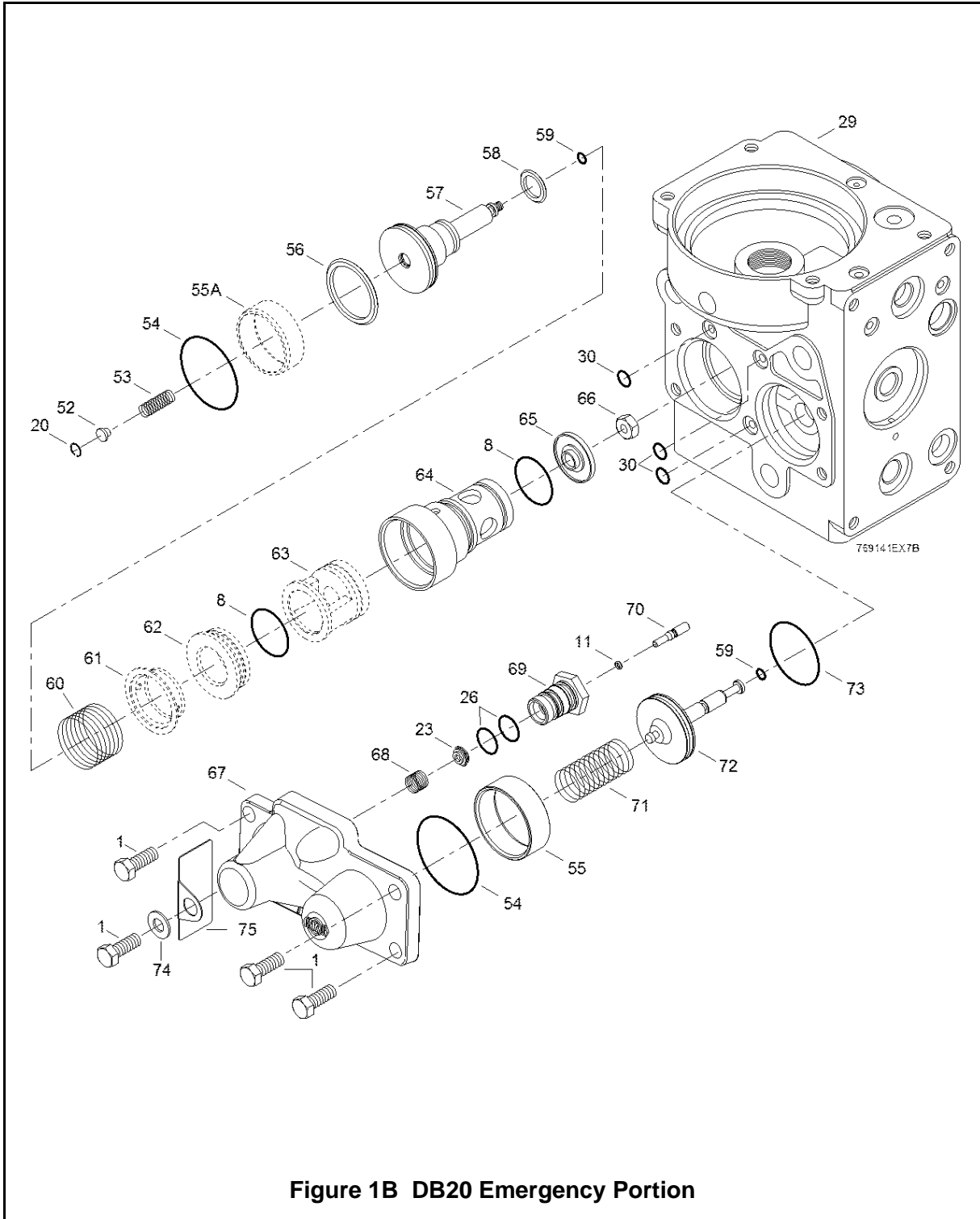
DB20 EMERGENCY PORTION

FIG. & INDEX	WEC	PART NO.	DRAW NO.	NO. REQ'D.	DESCRIPTION
1B-					
1B-52	C	B73396	769341	1	. VALVE GUIDE Vent Valve
1B-53	C	769347	769347	1	. SPRING High Pressure Valve Stainless Steel 0.370" od x 0.055" dia. x 1.465" high
1B-54	B	789885-012	789885	2	. O-RING Buna M 61 od x 56 id x 2.5 t
1B-55	C	B73391	769344	1	. BUSHING
*1B-55A		B73391	769344	1	. BUSHING (Part of Item 1B-64 starting with S/N C0-34000) (No longer available)
1B-56	B	789878-007	789878	1	. K-RING
1B-57	C	185183	769353	1	. PISTON ASSEMBLY Vent Valve
1B-58	B	789878-008	789878	1	. K-RING
1B-59	B	789885-018	789885	2	. O-RING Buna M 10.5 od x 5.5 id x 2.5 t
1B-60	C	B63635	769345	1	. SPRING Stainless Steel 1.527" od x 0.110" dia. x 2.114" high
*1B-61		B84949	B84949	1	. SPACER RING (Part of Item 1B-64 starting with S/N C0-34000) (No longer available)

***NOTE:** Items 1B-55A, 1B-61, 1B-62 and 1B-63 are no longer individually replaceable. If any one of these items (1B-55A, 1B-61, 1B-62 or 1B-63) are defective, all four items must be removed and replaced with item 1B-64.



DB20 EMERGENCY PORTION





DB20 EMERGENCY PORTION

FIG. & INDEX	WEC	PART NO.	DRAW NO.	NO. REQ'D.	DESCRIPTION
1B-					
*1B-62		B73398	B73398	1	. BUSHING Vent Valve (Part of Item 1B-64 starting with S/N C0-34000) (No longer available)
*1B-63		B63642	B63642	1	. BUSHING w/Valve Seat (Part of Item 1B-64 starting with S/N C0-34000) (No longer available)
1B-64	C	773788	773788	1	. BUSHING
1B-65	B	B73421	769352	1	. CHECK VALVE Vent Valve Piston
1B-66	A	769183	769183	1	. LOCKNUT Hex Steel, Pltd. M 8 x 1.25 x 6.62 t
1B-67		I85180	769358	1	. COVER ASSEMBLY Cast Iron
1B-68	C	B58581	769190	1	. SPRING High Pressure Valve Stainless Steel 0.496" od x 0.043" dia. x 1.142" high
1B-69	C	B73394	769359	1	. BUSHING Threaded w/Inshot Valve Control Choke
1B-70	C	B84948	769492	1	. STEM High Pressure Valve

***NOTE:** Items 1B-55A, 1B-61, 1B-62 and 1B-63 are no longer individually replaceable. If any one of these items (1B-55A, 1B-61, 1B-62 or 1B-63) are defective, all four items must be removed and replaced with item 1B-64.



DB20 EMERGENCY PORTION

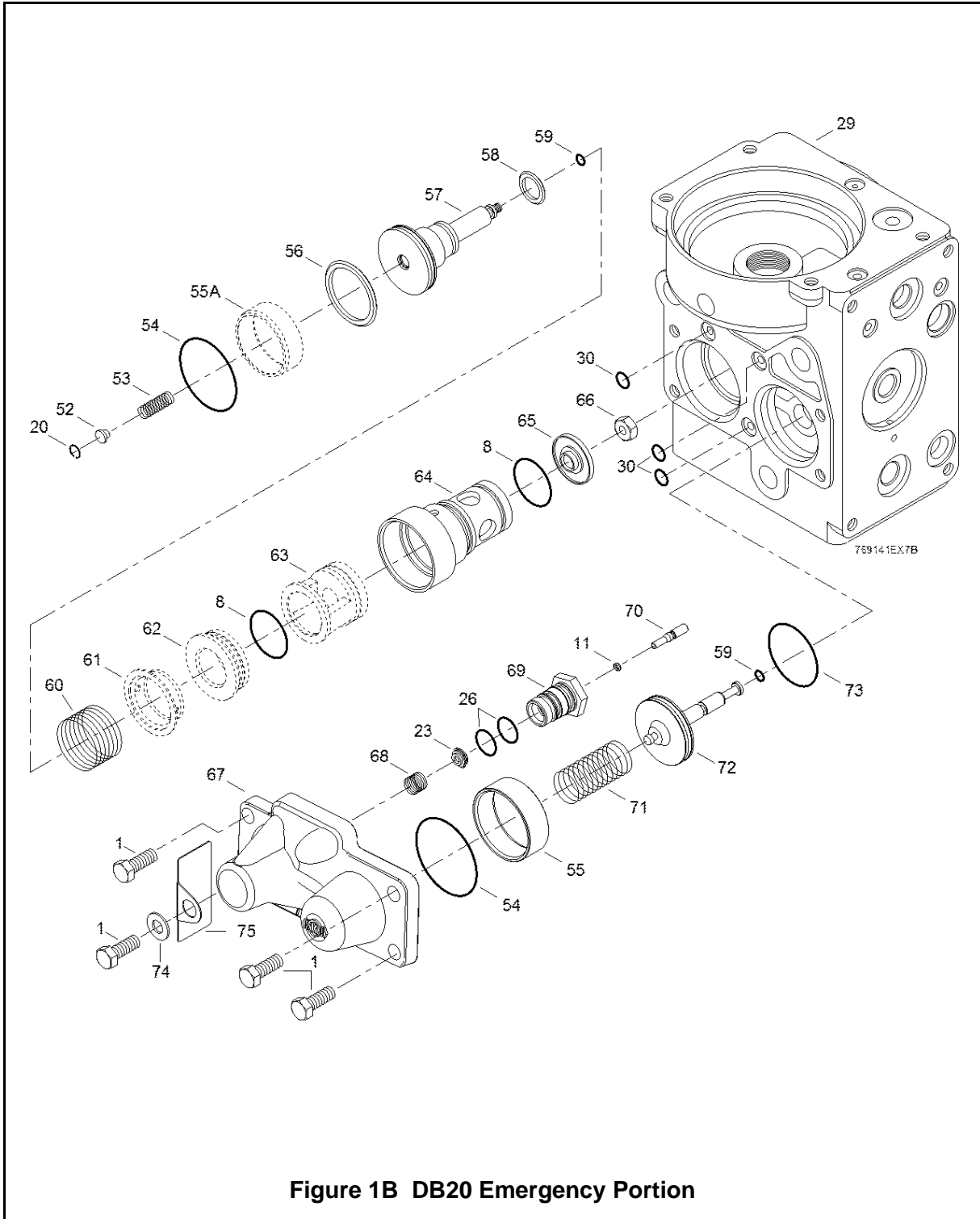


Figure 1B DB20 Emergency Portion

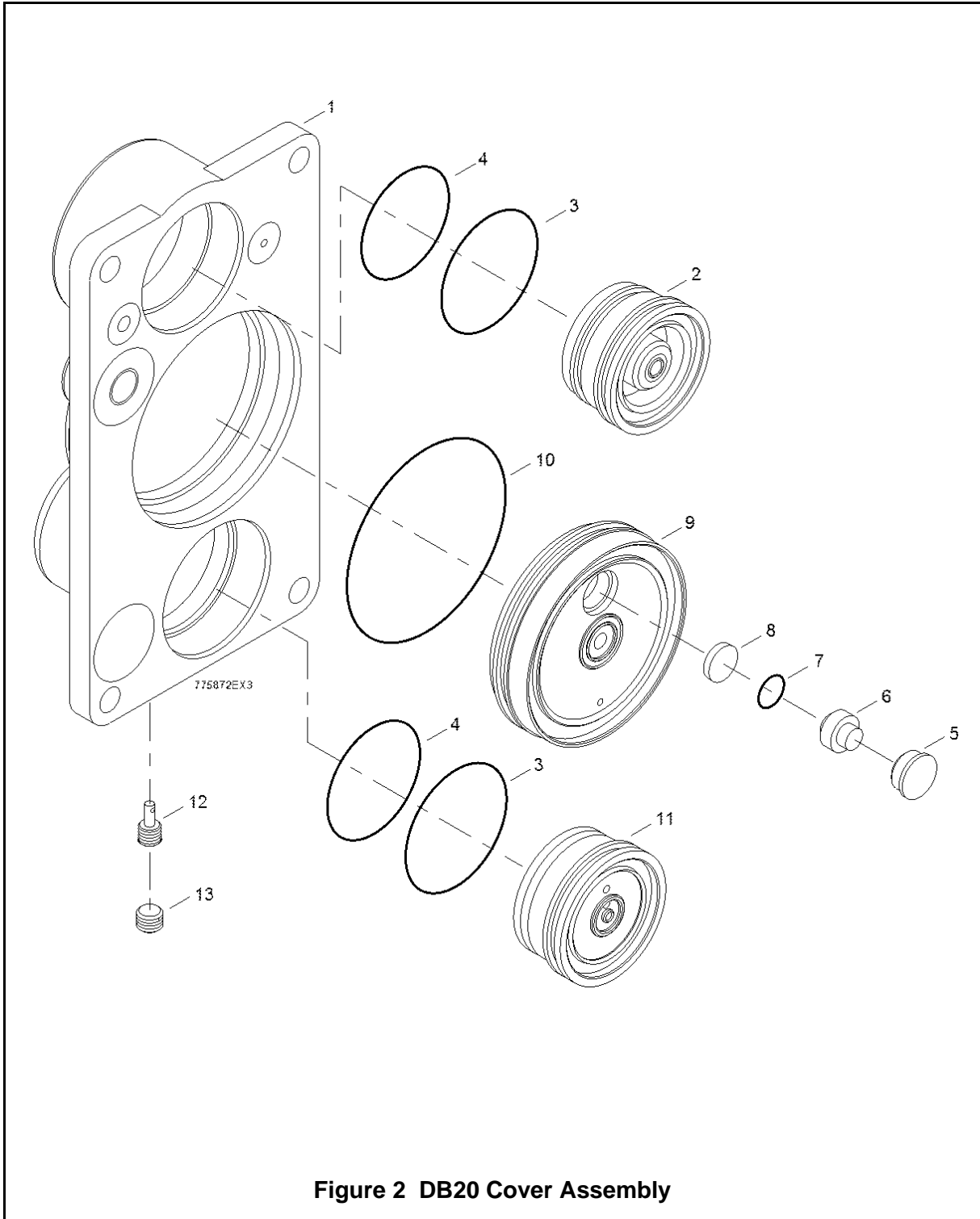


DB20 EMERGENCY PORTION

FIG. & INDEX	WEC	PART NO.	DRAW NO.	NO. REQ'D.	DESCRIPTION
1B-					
1B-71	C	B66874	769357	1	. SPRING Inshot Valve Piston Stainless Steel 0.964" od x 0.110" dia. x 3.070" high
1B-72	C	785862	785862	1	. PISTON HEAD Inshot (Used on portions starting with S/N M0-xxxxx)
1B-73	B	789842-009	789842	1	. O-RING Buna 2-1/32" od x 1-53/64" id x 0.103" t
1B-74		748831	748831	1	. FLAT WASHER Steel 3/8"
1B-75		791422	791422	1	. CID TAG, AAR Stainless Steel or Aluminum



DB20 EMERGENCY PORTION





DB20 EMERGENCY PORTION

FIG. & INDEX	WEC	PART NO.	DRAW NO.	NO. REQ'D.	DESCRIPTION
2-		776215	776215		COVER ASSEMBLY Cast Iron - KBSA manufactured
2-1		776212	776212	1	. COVER Cast Iron
2-2	C	776159	776159	1	. BUSHING
2-3	B	789842-005	789842	2	. O-RING Buna 2-1/16" od x 1-55/64" id x 0.103" t
2-4	B	789842-006	789842	2	. O-RING Buna 1-7/8" od x 1-43/64" id x 0.103" t
2-5	B	A52965/3	A52965/3	1	. RETAINING NUT w/Filter Screen
2-6	C	B73415/020	769331	1	. CHOKE Accelerated Application Sensitivity
2-7	B	789885-011	789885	1	. O-RING Buna M 12.81 od x 9.25 id x 0.103" t
2-8	B	C60256	C60256	1	. FILTER
2-9	C	776158	776158	1	. BUSHING
2-10	B	789842-007	789842	1	. O-RING Buna 3-1/16" od x 2-55/64" id x 0.103" t
2-11	C	776157	776157	1	. BUSHING
2-12	C	B73418/065	769481	1	. CHOKE



DB20 EMERGENCY PORTION

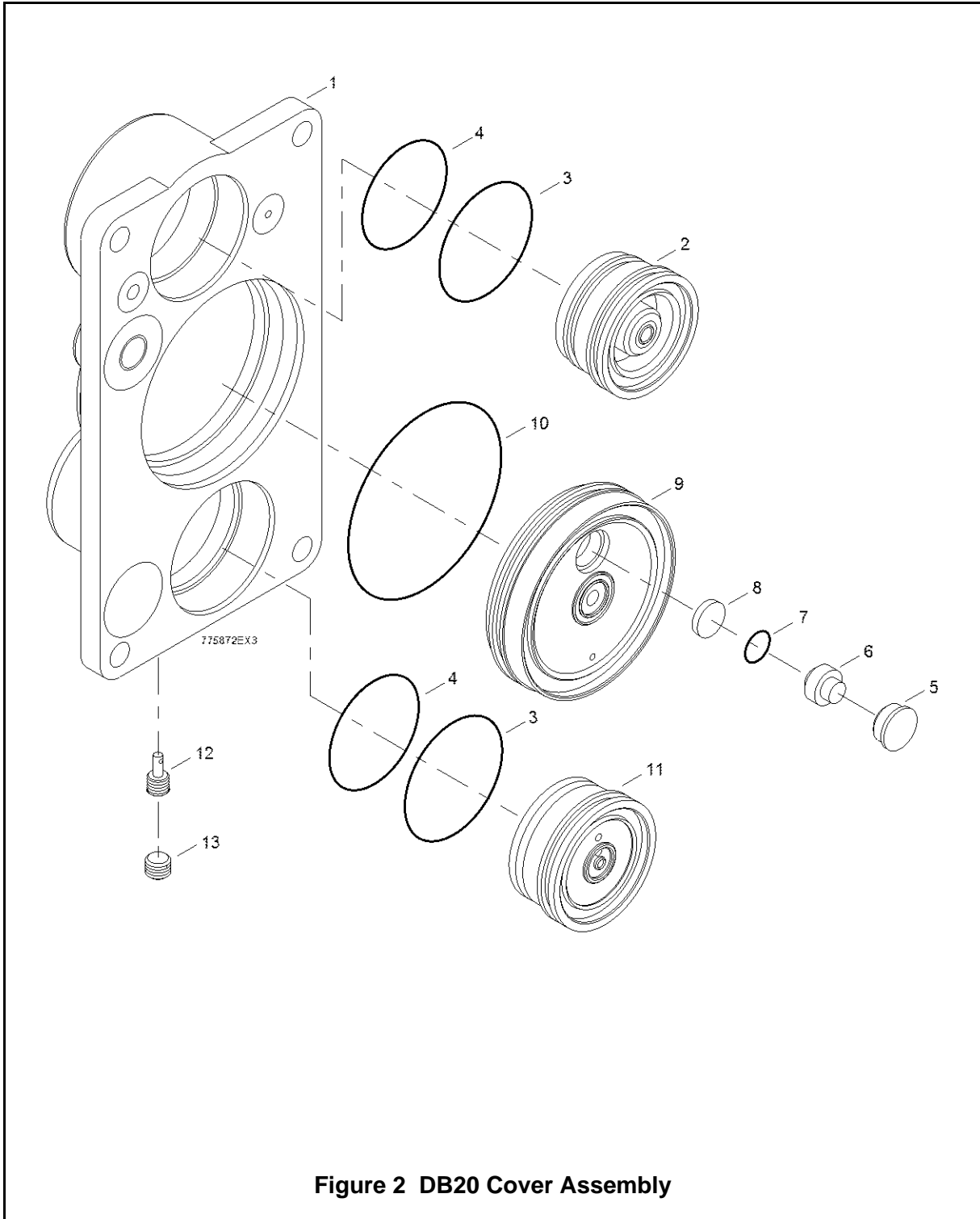


Figure 2 DB20 Cover Assembly



DB20 EMERGENCY PORTION

FIG. & INDEX	WEC	PART NO.	DRAW NO.	NO. REQ'D.	DESCRIPTION
2-13	C	456466	456466	1	. PLUG
	C	769494	769494	1	. PLUG (alternate NYAB P/N for Item 2-13)



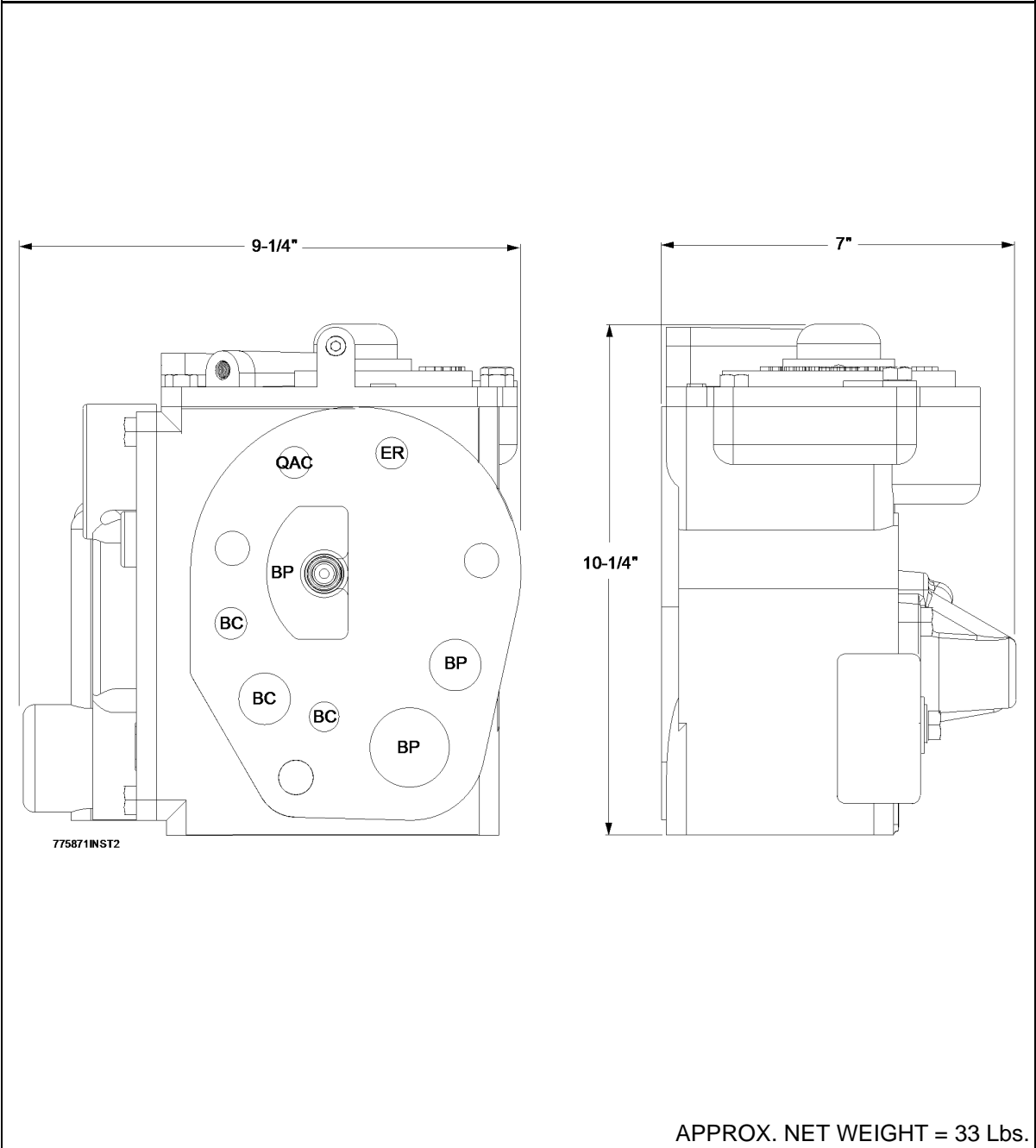
**DB20 EMERGENCY PORTION
Repair Kit / Installation Information**

REPAIR KIT INFORMATION:

Part No. I89766/D

Draw. No. 770946

DB20 REPAIR KIT



APPROX. NET WEIGHT = 33 Lbs.